

Nightscaping[®]
SINCE 1959

INTRODUCING THE
LOCKLIN
SERIES

One System.
Endless Configurations.

Inspired by Bill Locklin, founder of Nightscaping
and the inventor of low-voltage outdoor lighting.




"See the effect,
not the source."

— Bill Locklin

More than a lighting line, the Locklin Series is a tribute to the man who invented the category. Bill Locklin pioneered low-voltage outdoor lighting over 60 years ago with a clear mission: bring outdoor spaces to life after dark. Today, his legacy continues through a system that is both timeless and transformative — modular in design, effortless in use, and enduring in performance. Honoring Bill's philosophy of field-driven innovation, the Locklin Series empowers professionals and designers alike to create a stunning, flexible lighting environments that endure.

The Locklin Series
is not just a lighting system,
it's a refined evolution of an idea
that changed the industry.



The Locklin Landscape Lighting Series is a modular lighting solution designed to make outdoor illumination effortless for both professionals and DIY enthusiasts. Its innovative architecture features core components that twist and lock together in seconds—no tools, no rewiring, just pure simplicity. Choose from ready-made configurations tailored to your application, or create your own to match your vision. Need to adapt on site? Swap a component or two and transform the same fixture instantly. With Locklin, you get unmatched flexibility—the freedom to modify, fine-tune, and evolve your lighting design without ever replacing the entire fixture.

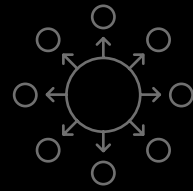
The Locklin modular landscape lighting system uses Through-Power™ technology to instantly connect and energize each component—powered bases, knuckles, risers, and adjustable LED modules—as they're stacked in succession, with no internal wiring required; simply twist and lock each piece together and it's live.

At the heart of the Locklin system is a single, all-in-one LED module with built-in controls that let you fine-tune brightness (3W, 5W, or 7W delivering 175, 300, or 425 lumens), switch color temperatures between 2700K and 3000K, and easily swap optics for 5 different beam spreads (7°, 15°, 36°, 60° and 120°). This single adjustable module replaces the need for 30 traditional lamps, delivering unmatched versatility in one compact solution.

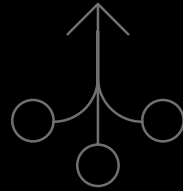
The Locklin Series takes the guesswork out of fixture selection.

What Makes Locklin Series Stand Out

In head-to-head testing against other top-selling landscape fixtures, the Locklin Series doesn't just compete—it leads in reliability and longevity. Standard systems often falter under the harsh effects of seasonal changes and environmental wear, but Locklin's patent-pending, aerospace-grade, gold-plated Through-Power™ contactors, and fully sealed components deliver unmatched conductivity and lasting performance. Unlike zinc-plated alternatives, our corrosion-resistant components preserve electrical continuity and eliminate voltage loss through the entire power link chain of components—ensuring flawless operation season after season.



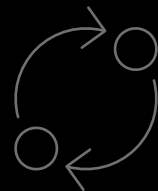
ONE LIGHTING SYSTEM.
HUNDREDS OF CONFIGURATIONS.



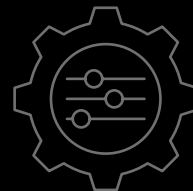
REPLACE DOZENS OF TRADITIONAL LIGHT FIXTURES AND LAMPS.



TWIST-LOCK ASSEMBLY.



SWAP SHROUDS, BASES, OR MODULES ON-SITE.



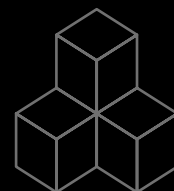
ADJUSTABLE LIGHT OUTPUT, COLOR TEMP, AND REPLACEABLE OPTICS.



COASTAL-RATED, PRECISION-MADE, BUILT TO LAST.



DESIGNED TO ADAPT WITH YOUR LANDSCAPE'S GROWTH.

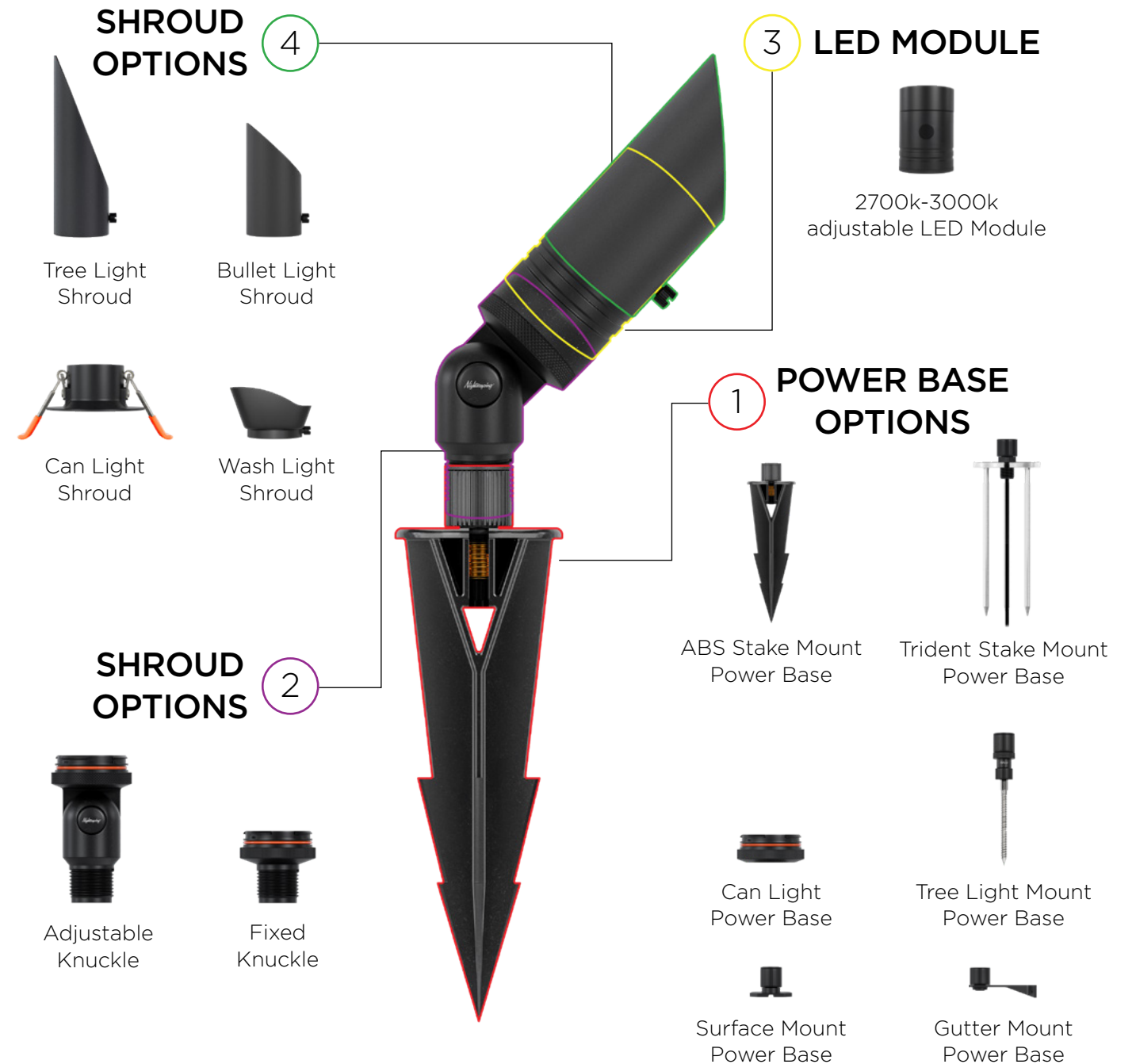


SIMPLE ASSEMBLY. SECURE FIT. NO GUESSWORK.

Built to Outperform.
Engineered to Endure.

Locklin Series

Fully customizable and easy to assemble, Locklin uses high-quality, replaceable parts for lasting performance.





Locklin Series

LIGHTNING PROTECTION DEVICE

SURGE PROTECTION SERIES



The Nightscaping® Lightning Protection Device is a Type 1 device, designed for outdoor applications. Engineered for both AC and DC electric systems, it protects both magnetic and electronic power supplies and LED/Incandescent luminaires without interfering with the GFP protection circuit, it provides protection to service panels, load centers or where the Lightning Protection Device is directly connected to the electronic device(s) requiring protection.

Note: Maximum protection will only be achieved if the Lightning Protection Device is properly installed. Please read the Lightning Protection Device installation manual carefully and follow the instructions.

The Nightscaping® Lightning Protection Device provides maximum protection by reducing the clamping voltage to a safe voltage that your system can sustain without damaging any of the electrical components. Installing the Nightscaping® Lightning Protection Device will provide excellent protection and peace of mind for many years to come.

FEATURES

- ETL Listed
- UL 1449 Type 1 Compliant
- 80 KA at 8/20 Pulse
- Waterproof
- Blue LED Indicator When "ON"
- 1/2" NPT Thread - Fits Standard Ground Stake
- Protects Unlimited Number Of Luminaires
- Proudly Designed & Made In Arlington, WA, USA

OTHER FEATURES

- Nominal Voltage:** 0 to 90VAC & 0 to 115VDC
- MCOV VRMS @ 1mA:** 180V (162-198)
- Clamp V @ 100A Current 8/20 Pulse:** 295V
- Energy Absorbtion:** 1120J (Full Device)
- Operating Temperature:** -40°c To +85°c
- Nominal Discharge Current:** 20kA
- Thermal Disconnect:** Internal
- Response Time:** <15n sec



DANGER: Electrical shock or burn hazard. Installation of this Lightning Protection Device should only be done by qualified personnel. Failure to lockout electrical power during installation or maintenance can result in fatal electrocution or severe burns.



CAUTION: This unit must be installed in accordance with the National Electrical Code (ANSI/NFPA-70) and applicable local codes.



CAUTION: Ungrounded power systems are inherently unstable and can allow excessively high line-to-ground voltages during certain fault conditions. During these fault conditions any electrical equipment, including a Lightning Protection Device, may be subjected to voltages which exceed their designed ratings. This information is being provided to the user so that an informed decision can be made before installing any electrical equipment on an ungrounded power system.

Please note Ground Rod Electrode (GRE) not included with NSPD. Refer to NEC code for length of GRE.



Locklin Series

WIRELESS EXTENSION RISER

DESIGNED TO ENDURE

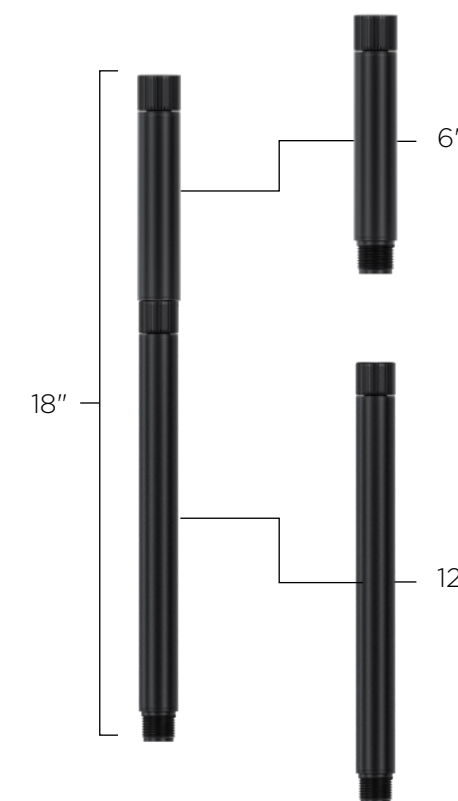
CSH014 - CHS015



- Precision Machined Brass Parts
- Obsidian Brass Finish
- Wireless Twist-Lock Assembly through power technology
- Lengths: 6" and 12" Extension Riser
- Easily Connect to Create Taller Riser (18"+)
- Gold-Plated Connections Built to Aerospace Specs
- Patent Pending Wireless Connectivity (Utility Patent)
- Coastal Certified
- Lifetime Warranty*

SPECIFICATIONS

- Accessory Type:** Extension/Riser
- Material:** Marine Grade, Machined Brass
- Diameter:** 1.14"
- Finish:** Obsidian Black
- Lengths:** 6" & 12" (Combine to Make Any Height)
- Mounting:** Any of Nightscaping's Locklin Series Power Bases
- Listing:** ETL Certified
- Standard:** UL 1838
- Rating:** IP68
- Wireless Connectivity:** Gold Plated Pins (Patent Pending)





Locklin Series

TREE LIGHT

TREE LIGHT MOUNT POWER BASE - ADJUSTABLE KNUCKLE - LED MODULE - EXTENDED SHROUD

PRECISE, LOW-GLARE ILLUMINATION

400-02TSBK



The perfect downlight built from Nightscaping's modular components. Includes the Tree Light Mount Power Base, Adjustable Knuckle, Adjustable LED Module, and Tree Light Shroud for **precise, low-glare illumination** from the canopy above.

Patented Modular Design:

Built on Nightscaping's Twist-lock system using Locklin's Through Power Technology, the Tree Light assembles entirely without tools. Each component—Power Base, Knuckle, LED Module, and Shroud—connects via gold-plated aerospace-certified pins to deliver a corrosion-proof, vibration-resistant lighting solution made for elevated installs.

PRODUCT DETAILS

Adjustable Color Temperature:

Push-button toggle between 2700K and 3000K (Hold 5 seconds to switch)

Adjustable Lumen Output:

Push-button control:

- Press once: 3W
- Press twice: 5W
- Press three times: 7W

Lumen Output (2700K)*:

- 3W - 170 lm
- 5W - 292 lm
- 7W - 399 lm

Lumen Output (3000K)*:

- 3W - 180 lm
- 5W - 310 lm
- 7W - 425 lm

Adjustable Knuckle:

Adjustable knuckle with 360° rotation and vertical tilt.

Push-button locking for tool-free aiming from the canopy.

Optics:

- 60° optic pre-installed.
- 36° optic included.
- Optional 15° and 7° sold separately.
- 120° beam achieved by removing optics.
- Color-coded lenses for easy identification.

Glare Control:

Includes optional Honeycomb Louver.

Power Base Wire Lead:

50' detachable wire lead included with Tree Mount Power Base

Shroud:

Extended Tree Light Shroud designed specifically for elevated, glare-free downlighting and moonlighting effects.

Certifications:

- ETL Listed
- IP68 Rated
- CRI: 93.4
- TM-30 RF: 94
- TM-30 RG: 99
- Power Factor: 0.893 @ 12VAC



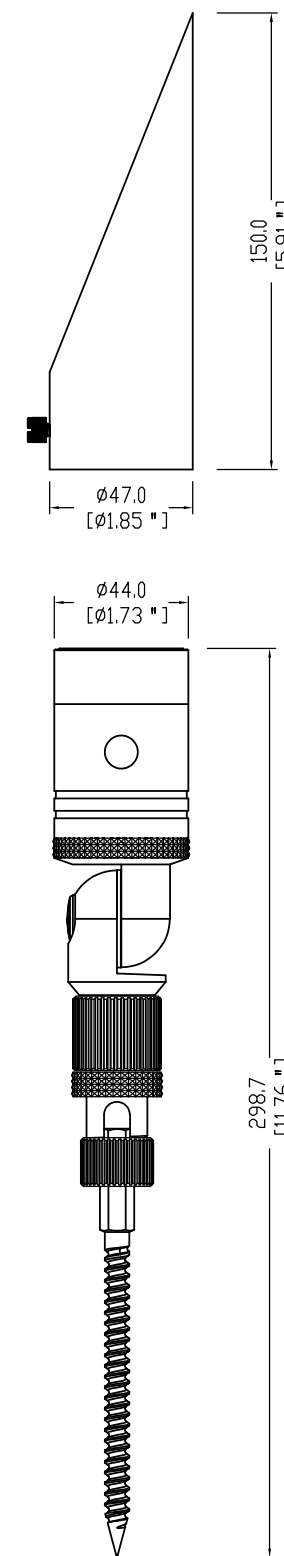
*Tested at 12 volts. Lumen output will increase as voltage increases. 12v input optimal



Locklin Series

TREE LIGHT

TREE LIGHT MOUNT POWER BASE - ADJUSTABLE KNUCKLE - LED MODULE - EXTENDED SHROUD





Locklin Series

BULLET LIGHT

SURFACE MOUNT POWER BASE- FIXED KNUCKLE - LED MODULE - BULLET LIGHT SHROUD

CLEAN ARCHITECTURAL UPLIGHTING

401-01BSBK



Designed for **clean architectural uplighting**, this fixture delivers precise beam direction from a fixed position. Mount to any hardscape surface or walls, its compact form and Twist-lock tool-free assembly make it a smart, set-it-and-forget-it solution.

Patented Modular Design:

Assembled using Locklin's Through Power Technology and Twist-lock system, this modular fixture snaps together wire-free with gold-plated connectors for corrosion-free, tool-free assembly. Designed for mounting to patios, walls, and other flat hardscape surfaces.

PRODUCT DETAILS

Adjustable Color Temperature:

Push-button toggle between 2700K and 3000K (Hold 5 seconds to switch)

Adjustable Lumen Output:

Push-button control:

- Press once: 3W
- Press twice: 5W
- Press three times: 7W

Lumen Output (2700K)*:

- 3W - 170 lm
- 5W - 292 lm
- 7W - 399 lm

Lumen Output (3000K)*:

- 3W - 180 lm
- 5W - 310 lm
- 7W - 425 lm

Fixed Knuckle:

Slimline, low-profile fixed knuckle delivers consistent beam direction without rotation or tilt—ideal for static accent lighting on walls or pillars.

Optics:

- 60° optic pre-installed.
- 36° optic included.
- Optional 15° and 7° sold separately.
- 120° spread achieved by removing optics.
- Color-coded lenses for easy identification.

Glare Control:

Includes optional Honeycomb Louver.

Power Base Wire Lead:

25' lead included with Surface Mount Power Base

Shroud:

The Bullet Light Shroud delivers precise uplighting with a tapered design that feathers light forward while shielding glare from behind.

Certifications:

- ETL Listed
- IP68 Rated
- CRI: 93.4
- TM-30 RF: 94
- TM-30 RG: 99
- Power Factor: 0.893 @ 12VAC



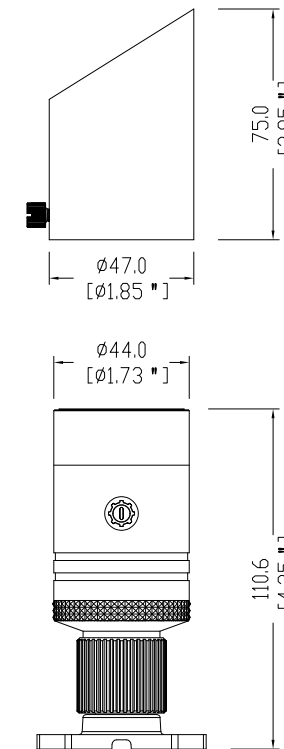
*Tested at 12 volts. Lumen output will increase as voltage increases. 12v input optimal



Locklin Series

BULLET LIGHT

SURFACE MOUNT POWER BASE- FIXED KNUCKLE - LED MODULE - BULLET LIGHT SHROUD





Locklin Series

BULLET LIGHT

SURFACE MOUNT POWER BASE- ADJUSTABLE KNUCKLE - LED MODULE - BULLET LIGHT SHROUD

MODULAR UPLIGHT THAT ADAPTS EFFORTLESSLY

401-02BSBK



With full tilt and rotation, this **modular upright adapts effortlessly** to your design needs. Mounted to hardscape or vertical surfaces, it pairs performance-grade optics with the refined finish of Obsidian Brass.

Patented Modular Design:

Assembled using Locklin's Through Power Technology and Twist-lock system, this modular fixture snaps together wire-free with gold-plated connectors for corrosion-free, tool-free assembly. Designed for mounting in mulch and planting beds, walls, and other flat hardscape surfaces.

PRODUCT DETAILS

Adjustable Color Temperature:

Push-button toggle between 2700K and 3000K (Hold 5 seconds to switch)

Adjustable Lumen Output:

Push-button control:

- Press once: 3W
- Press twice: 5W
- Press three times: 7W

Lumen Output (2700K)*:

- 3W - 170 lm
- 5W - 292 lm
- 7W - 399 lm

Lumen Output (3000K)*:

- 3W - 180 lm
- 5W - 310 lm
- 7W - 425 lm

Adjustable Knuckle:

Adjustable knuckle with 360° rotation and vertical tilt. Push-button locking tool-free aiming from any hardscape surface.

Optics:

- 60° optic pre-installed.
- 36° optic included.
- Optional 15° and 7° sold separately.
- 120° spread achieved by removing optics.
- Color-coded lenses for easy identification.

Glare Control:

Includes optional Honeycomb Louver.

Power Base Wire Lead:

25' lead included with Surface Mount Power Base

Shroud:

The Bullet Light Shroud delivers precise uplighting with a tapered design that feathers light forward while shielding glare from behind.

Certifications:

- ETL Listed
- IP68 Rated
- CRI: 93.4
- TM-30 RF: 94
- TM-30 RG: 99
- Power Factor: 0.893 @ 12VAC



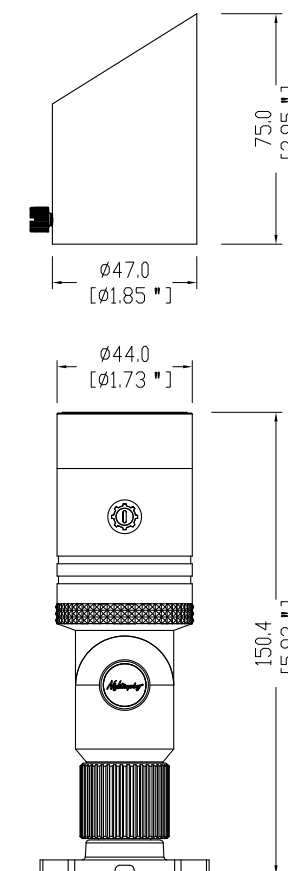
*Tested at 12 volts. Lumen output will increase as voltage increases. 12v input optimal



Locklin Series

BULLET LIGHT

SURFACE MOUNT POWER BASE- ADJUSTABLE KNUCKLE - LED MODULE - BULLET LIGHT SHROUD





Locklin Series

BULLET LIGHT

GUTTER MOUNT POWER BASE - ADJUSTABLE KNUCKLE - LED MODULE - BULLET LIGHT SHROUD

LIGHT ARCHITECTURAL FEATURES OR LANDSCAPING FROM ABOVE

402-02BSBK



Perfect for illuminating rooflines and dormers, this uplight combines Nightscaping's patent pending Gutter Mount power base with wireless adjustability. **Light architectural features or landscaping from above.**

Patented Modular Design:

Utilizes Locklin's Through Power Technology, the Twist-lock wireless system for secure, tool-free assembly. Mounts directly to fascia boards or gutters using Nightscaping's Gutter Mount.

PRODUCT DETAILS

Adjustable Color Temperature:

Push-button toggle between 2700K and 3000K (Hold 5 seconds to switch)

Adjustable Lumen Output:

Push-button control:
• Press once: 3W
• Press twice: 5W
• Press three times: 7W

Lumen Output (2700K)*:

- 3W - 170 lm
- 5W - 292 lm
- 7W - 399 lm

Lumen Output (3000K)*:

- 3W - 180 lm
- 5W - 310 lm
- 7W - 425 lm

Adjustable Knuckle:

Push-button adjustability for full aiming flexibility from above—ideal for architectural uplighting, gutter-mounted installs, or second-story lighting.

Optics:

- 60° optic pre-installed.
- 36° optic included.
- Optional 15° and 7° sold separately.
- 120° spread achieved by removing optics.
- Color-coded lenses for easy identification.

Glare Control:

Includes optional Honeycomb Louver.

Power Base Wire Lead:

3' lead included with Gutter Mount Power Base.

Shroud:

The Bullet Light Shroud delivers precise uplighting with a tapered design that feathers light forward while shielding glare from behind.

Certifications:

- ETL Listed
- IP68 Rated
- CRI: 93.4
- TM-30 RF: 94
- TM-30 RG: 99
- Power Factor: 0.893 @ 12VAC



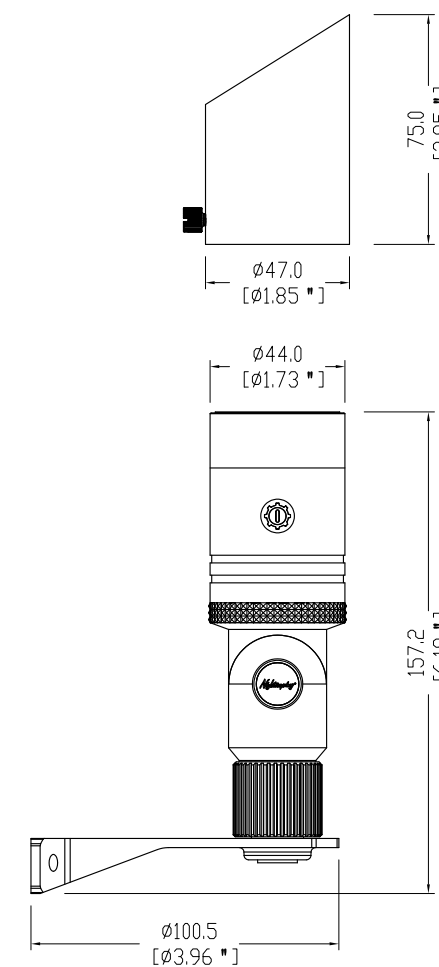
*Tested at 12 volts. Lumen output will increase as voltage increases. 12v input optimal



Locklin Series

BULLET LIGHT

GUTTER MOUNT POWER BASE - ADJUSTABLE KNUCKLE - LED MODULE - BULLET LIGHT SHROUD





Locklin Series

BULLET LIGHT

ABS STAKE MOUNT POWER BASE - FIXED KNUCKLE
- LED MODULE - BULLET LIGHT SHROUD

PRECISE BEAM DIRECTION

403-01BSBK



Perfect for placement in garden areas or landscape beds, this upright includes a fixed knuckle for **precise beam direction** and Nightscaping's rugged ABS Ground Stake Power Base. Perfect for tree illumination and general landscape up lighting.

Patented Modular Design:

Field-configurable fixture using Locklin's Through Power Technology and Twist-lock connection system with gold-plated pins for corrosion-resistant, wireless assembly. Anchored with a durable ABS stake for reliable ground placement in mulch or planting beds.

PRODUCT DETAILS

Adjustable Color Temperature:

Push-button toggle between 2700K and 3000K (Hold 5 seconds to switch)

Adjustable Lumen Output:

Push-button control:

- Press once: 3W
- Press twice: 5W
- Press three times: 7W

Lumen Output (2700K)*:

- 3W - 170 lm
- 5W - 292 lm
- 7W - 399 lm

Lumen Output (3000K)*:

- 3W - 180 lm
- 5W - 310 lm
- 7W - 425 lm

Fixed Knuckle:

Slimline, low-profile fixed knuckle delivers consistent beam direction without rotation or tilt—ideal for static accent landscape and architectural up-lighting.

Optics:

- 60° optic pre-installed.
- 36° optic included.
- Optional 15° and 7° sold separately.
- 120° beam achieved by removing optics.
- Color-coded lenses for easy identification.

Glare Control:

Includes optional Honeycomb Louver.

Power Base Wire Lead:

25' lead included with ABS Stake Mount Power Base.

Shroud:

The Bullet Light Shroud delivers precise uplighting with a tapered design that feathers light forward while shielding glare from behind.

Certifications:

- ETL Listed
- IP68 Rated
- CRI: 93.4
- TM-30 RF: 94
- TM-30 RG: 99
- Power Factor: 0.893 @ 12VAC



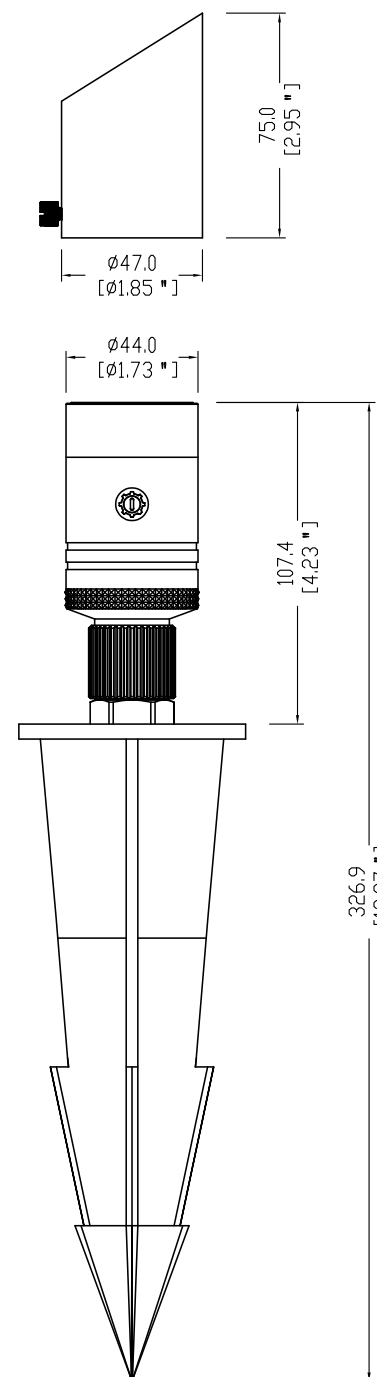
*Tested at 12 volts. Lumen output will increase as voltage increases. 12v input optimal



Locklin Series

BULLET LIGHT

ABS STAKE MOUNT POWER BASE - FIXED KNUCKLE
- LED MODULE - BULLET LIGHT SHROUD





Locklin Series

BULLET LIGHT

ABS STAKE MOUNT POWER BASE - ADJUSTABLE KNUCKLE
- LED MODULE - BULLET LIGHT SHROUD

VARIABLE BEAM DIRECTION

403-02BSBK



Perfect for placement in garden areas or landscape beds, this uplight includes an adjustable knuckle for **precise aiming** and Nightscaping's rugged ABS Ground Stake Power Base. Perfect for landscape and architectural up-lighting.

Patented Modular Design:

Field-configurable fixture using Locklin's Through Power Technology and Twist-lock connection system with gold-plated pins for corrosion-resistant, wireless assembly. Anchored with a durable ABS stake for reliable ground placement in mulch or planting beds.

PRODUCT DETAILS

Adjustable Color Temperature:

Push-button toggle between 2700K and 3000K
(Hold 5 seconds to switch)

Adjustable Lumen Output:

Push-button control:
• Press once: 3W
• Press twice: 5W
• Press three times: 7W

Lumen Output (2700K)*:

- 3W - 170 lm
- 5W - 292 lm
- 7W - 399 lm

Lumen Output (3000K)*:

- 3W - 180 lm
- 5W - 310 lm
- 7W - 425 lm

Adjustable Knuckle:

Full 360° rotation and vertical tilt with push-button locking for tool-free beam aiming.

Optics:

- 60° optic pre-installed.
- 36° optic included.
- Optional 15° and 7° sold separately.
- 120° beam achieved by removing optics.
- Color-coded lenses for easy identification.

Glare Control:

Includes optional Honeycomb Louver.

Power Base Wire Lead:

25' lead included with ABS Stake Mount Power Base.

Shroud:

The Bullet Light Shroud delivers precise uplighting with a tapered design that feathers light forward while shielding glare from behind.

Certifications:

- ETL Listed
- IP68 Rated
- CRI: 93.4
- TM-30 RF: 94
- TM-30 RG: 99
- Power Factor: 0.893 @ 12VAC



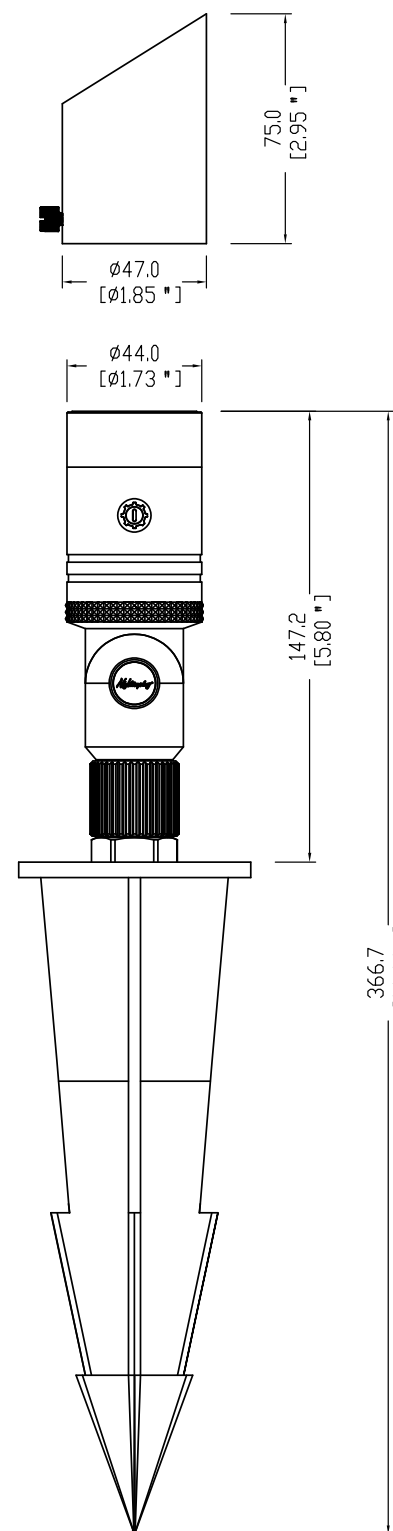
*Tested at 12 volts. Lumen output will increase as voltage increases. 12v input optimal



Locklin Series

BULLET LIGHT

ABS STAKE MOUNT POWER BASE - ADJUSTABLE KNUCKLE
- LED MODULE - BULLET LIGHT SHROUD





Locklin Series

BULLET LIGHT

TRIDENT STAKE MOUNT POWER BASE - FIXED KNUCKLE - LED MODULE - BULLET LIGHT SHROUD

FIXED-POSITION DIRECTIONAL LIGHT

404-01BSBK



Stabilized by Nightscaping's stainless steel, three-rod, Trident Stake Power Base, this **fixed-position directional light** offers a fixed aim for architectural uplighting in challenging soil conditions.

Patented Modular Design:

Tool-free assembly powered by Locklin's Through Power Technology and Twist-lock connection system. The Trident Stake features three stainless steel 9" rods for superior anchoring in hard or rocky ground conditions.

PRODUCT DETAILS

Adjustable Color Temperature:

Push-button toggle between 2700K and 3000K (Hold 5 seconds to switch)

Adjustable Lumen Output:

Push-button control:

- Press once: 3W
- Press twice: 5W
- Press three times: 7W

Lumen Output (2700K)*:

- 3W - 170 lm
- 5W - 292 lm
- 7W - 399 lm

Lumen Output (3000K)*:

- 3W - 180 lm
- 5W - 310 lm
- 7W - 425 lm

Fixed Knuckle:

Compact, non-adjustable design ideal for static installations—perfect for consistent uplighting of columns, trees, or architecture

Optics:

- 60° optic pre-installed.
- 36° optic included.
- Optional 15° and 7° sold separately.
- 120° beam achieved by removing optics.
- Color-coded lenses for easy identification.

Glare Control:

Includes optional Honeycomb Louver.

Power Base Wire Lead:

25' lead included with Trident Stake Mount Power Base.

Shroud:

The Bullet Light Shroud delivers precise uplighting with a tapered design that feathers light forward while shielding glare from behind.

Certifications:

- ETL Listed
- IP68 Rated
- CRI: 93.4
- TM-30 RF: 94
- TM-30 RG: 99
- Power Factor: 0.893 @ 12VAC



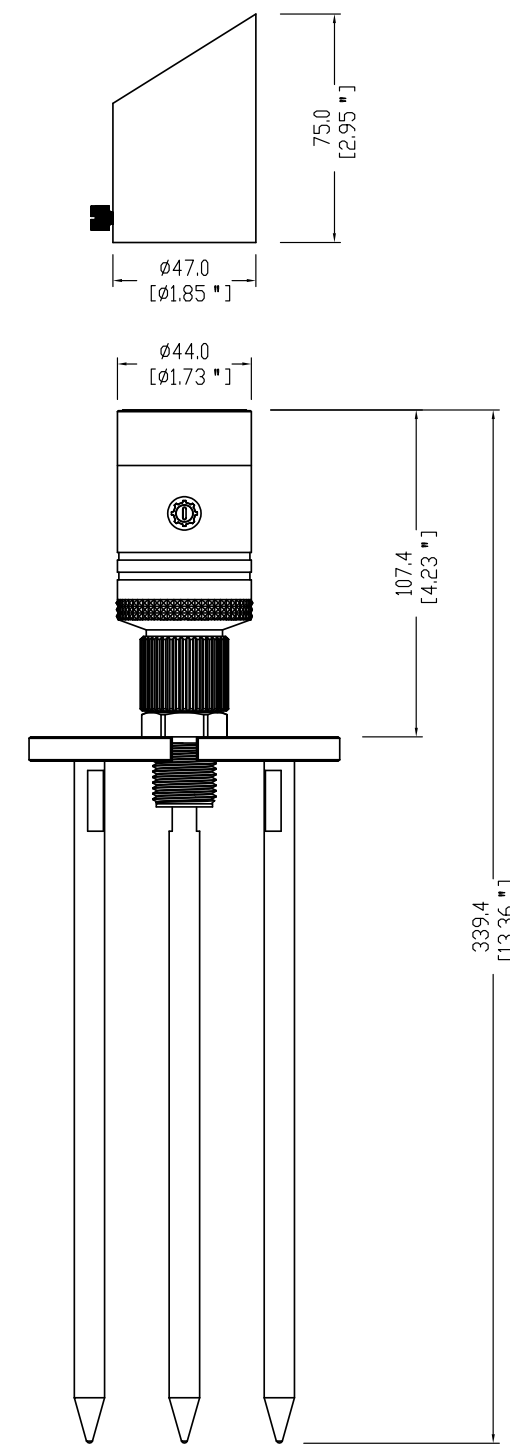
*Tested at 12 volts. Lumen output will increase as voltage increases. 12v input optimal



Locklin Series

BULLET LIGHT

TRIDENT STAKE MOUNT POWER BASE - FIXED KNUCKLE - LED MODULE - BULLET LIGHT SHROUD





Locklin Series

BULLET LIGHT

TRIDENT STAKE MOUNT POWER BASE - ADJUSTABLE KNUCKLE
- LED MODULE - BULLET LIGHT SHROUD

VARIABLE AIM FOR TREE AND ARCHITECTURAL UPLIGHTING

404-02BSBK



Stabilized by Nightscaping's stainless steel, three-rod, Trident Stake Power Base, this omni-position directional light offers a **variable aim for tree and architectural uplighting** in challenging soil conditions.

Patented Modular Design:

Built for rugged terrain, this Locklin fixture features Twist-lock assembly with Through Power Technology, and a stainless steel Trident Stake with 9" rods for secure anchoring in hard or rocky ground conditions.

PRODUCT DETAILS

Adjustable Color Temperature:

Push-button toggle between 2700K and 3000K (Hold 5 seconds to switch)

Adjustable Lumen Output:

Push-button control:

- Press once: 3W
- Press twice: 5W
- Press three times: 7W

Lumen Output (2700K)*:

- 3W - 170 lm
- 5W - 292 lm
- 7W - 399 lm

Lumen Output (3000K)*:

- 3W - 180 lm
- 5W - 310 lm
- 7W - 425 lm

Adjustable Knuckle:

360° rotation and tilt with push-button locking allows precise, no-tool beam aiming.

Optics:

- 60° optic pre-installed.
- 36° optic included.
- Optional 15° and 7° sold separately.
- 120° beam achieved by removing optics.
- Color-coded lenses for easy identification.

Glare Control:

Includes optional Honeycomb Louver.

Power Base Wire Lead:

25' lead included with Trident Stake Mount Power Base.

Shroud:

The Bullet Light Shroud delivers precise uplighting with a tapered design that feathers light forward while shielding glare from behind.

Certifications:

- ETL Listed
- IP68 Rated
- CRI: 93.4
- TM-30 RF: 94
- TM-30 RG: 99
- Power Factor: 0.893 @ 12VAC



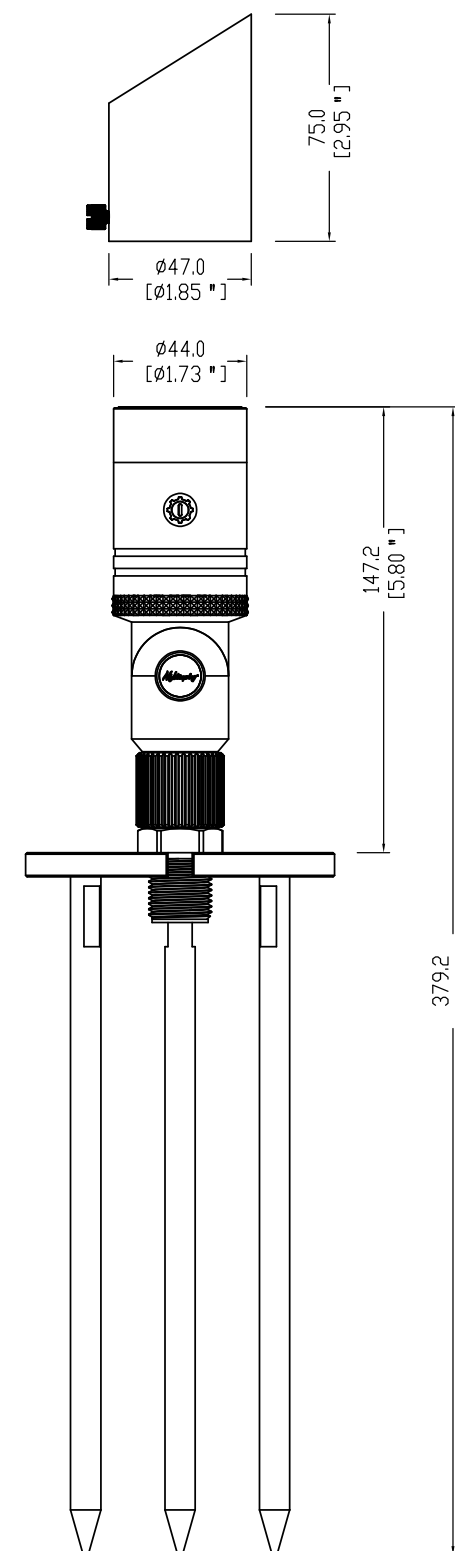
*Tested at 12 volts. Lumen output will increase as voltage increases. 12v input optimal



Locklin Series

BULLET LIGHT

TRIDENT STAKE MOUNT POWER BASE - ADJUSTABLE KNUCKLE
- LED MODULE - BULLET LIGHT SHROUD





Locklin Series

WASH LIGHT

SURFACE MOUNT POWER BASE - FIXED KNUCKLE -
LED MODULE - WASH LIGHT SHROUD

CONSISTENT UPLIGHTING COVERAGE

401-01WSBK



This wide-beam fixture brings smooth, ambient wash lighting to walls and small trees. The fixed knuckle delivers consistent uplighting coverage for columns, garden art, and low architectural features that are isolated in hardscape or solid surface areas where a Ground Stake cannot be used.

Patented Modular Design:

Built with Locklin's Twist-lock system and Through Power Technology, this surface-mounted fixture assembles wire-free with corrosion-resistant, gold-plated connectors. Designed for secure installation on solid and architectural surfaces.

PRODUCT DETAILS

Adjustable Color Temperature:

Push-button toggle between 2700K and 3000K (Hold 5 seconds to switch)

Adjustable Lumen Output:

Push-button control:

- Press once: 3W
- Press twice: 5W
- Press three times: 7W

Lumen Output (2700K)*:

- 3W - 170 lm
- 5W - 292 lm
- 7W - 399 lm

Lumen Output (3000K)*:

- 3W - 180 lm
- 5W - 310 lm
- 7W - 425 lm

Fixed Knuckle:

Delivers a consistent, non-adjustable beam angle—ideal for softly washing surfaces of smaller trees, sculptures, and architectural features and walls.

Optics:

- Integrated linear spread lens
- 60° optic pre-installed.
- 36° optic included.
- Optional 15° and 7° sold separately.
- 120° beam achieved by removing optics.
- Color-coded lenses for easy identification.

Glare Control:

Includes optional Honeycomb Louver.

Power Base Wire Lead:

25' lead included with Surface Mount Power Base.

Shroud:

The Wash Light Shroud delivers soft, ambient illumination across plantings, walls, and walkways with an integrated linear lens for smooth, even light.

Certifications:

- ETL Listed
- IP68 Rated
- CRI: 93.4
- TM-30 RF: 94
- TM-30 RG: 99
- Power Factor: 0.893 @ 12VAC



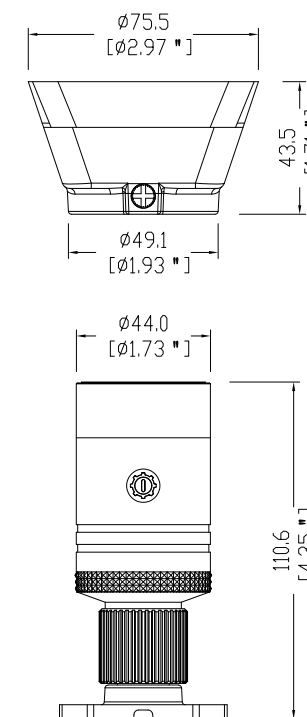
*Tested at 12 volts. Lumen output will increase as voltage increases. 12v input optimal



Locklin Series

WASH LIGHT

SURFACE MOUNT POWER BASE - FIXED KNUCKLE -
LED MODULE - WASH LIGHT SHROUD





Locklin Series

WASH LIGHT

SURFACE MOUNT POWER BASE - ADJUSTABLE KNUCKLE
- LED MODULE - WASH LIGHT SHROUD

FLEXIBLE LIGHTING

401-02WSBK



This wide-beam fixture brings smooth, ambient wash lighting to walls and small trees. The adjustable knuckle delivers more flexibility for lighting garden art, shrubs, and low trees, along with low architectural features that are isolated in hardscape or solid surface areas where a Ground Stake cannot be used.

Patented Modular Design:

Built on the Locklin Series' modular Twist-lock platform with Through Power Technology, this fixture mounts to solid surfaces using a tool-free, snap-fit system with gold-plated connectors.

PRODUCT DETAILS

Adjustable Color Temperature:

Push-button toggle between 2700K and 3000K (Hold 5 seconds to switch)

Adjustable Lumen Output:

Push-button control:
• Press once: 3W
• Press twice: 5W
• Press three times: 7W

Lumen Output (2700K)*:

- 3W - 170 lm
- 5W - 292 lm
- 7W - 399 lm

Lumen Output (3000K)*:

- 3W - 180 lm
- 5W - 310 lm
- 7W - 425 lm

Adjustable Knuckle:

360° rotation and vertical tilt with push-button locking lets you direct wide-area lighting exactly where it's needed.

Optics:

- Integrated linear spread lens
- 60° optic pre-installed.
- 36° optic included.
- Optional 15° and 7° sold separately.
- 120° beam achieved by removing optics.
- Color-coded lenses for easy identification.

Glare Control:

Includes optional Honeycomb Louver.

Power Base Wire Lead:

25' lead included with Surface Mount Power Base.

Shroud:

The Wash Light Shroud delivers soft, ambient illumination across plantings, walls, and walkways with an integrated linear lens for smooth, even light.

Certifications:

- ETL Listed
- IP68 Rated
- CRI: 93.4
- TM-30 RF: 94
- TM-30 RG: 99
- Power Factor: 0.893 @ 12VAC



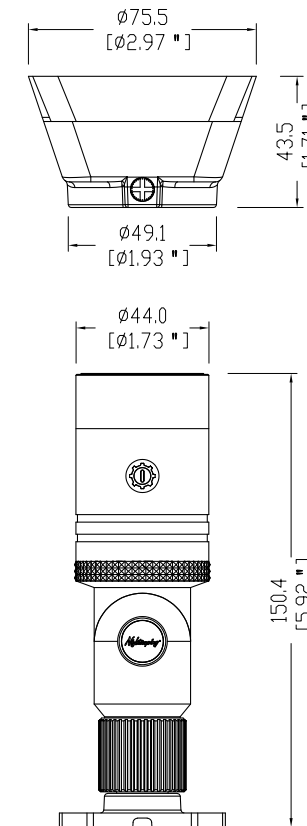
*Tested at 12 volts. Lumen output will increase as voltage increases. 12v input optimal



Locklin Series

WASH LIGHT

SURFACE MOUNT POWER BASE - ADJUSTABLE KNUCKLE
- LED MODULE - WASH LIGHT SHROUD





Locklin Series

WASH LIGHT

GUTTER MOUNT POWER BASE- ADJUSTABLE KNUCKLE
- LED MODULE - WASH LIGHT SHROUD

AMBIENT WASH LIGHTING TO DORMERS
AND UPPER ARCHITECTURAL ELEMENTS

402-02WSBK



This wide-beam fixture brings smooth, **ambient wash lighting to dormers and upper architectural elements** that are within a close proximity to gutter mounting locations. The built-in, linear spread, optical lens provides an even transmission of light with smooth fall off on the edges making it ideal for illuminating light colored and smooth surfaced architecture.

Patented Modular Design:

Combines the Locklin Series' Gutter Mount system with Twist-lock wireless connections and Through Power Technology for zero-tool installation to soffits, fascia boards, or gutters.

PRODUCT DETAILS

Adjustable Color Temperature:

Push-button toggle between 2700K and 3000K (Hold 5 seconds to switch)

Adjustable Lumen Output:

Push-button control:
• Press once: 3W
• Press twice: 5W
• Press three times: 7W

Lumen Output (2700K)*:

- 3W - 170 lm
- 5W - 292 lm
- 7W - 399 lm

Lumen Output (3000K)*:

- 3W - 180 lm
- 5W - 310 lm
- 7W - 425 lm

Adjustable Knuckle:

Push-button adjustable for full tilt and rotational aiming—perfect for soft uplighting from elevated architectural positions.

Optics:

- Integrated linear spread lens
- 60° optic pre-installed.
- 36° optic included.
- Optional 15° and 7° sold separately.
- 120° beam achieved by removing optics.
- Color-coded lenses for easy identification.

Glare Control:

Includes optional Honeycomb Louver.

Power Base Wire Lead:

3' lead included with Gutter Mount Power Base.

Shroud:

The Wash Light Shroud delivers soft, ambient illumination across plantings, walls, and walkways with an integrated linear lens for smooth, even light.

Certifications:

- ETL Listed
- IP68 Rated
- CRI: 93.4
- TM-30 RF: 94
- TM-30 RG: 99
- Power Factor: 0.893 @ 12VAC



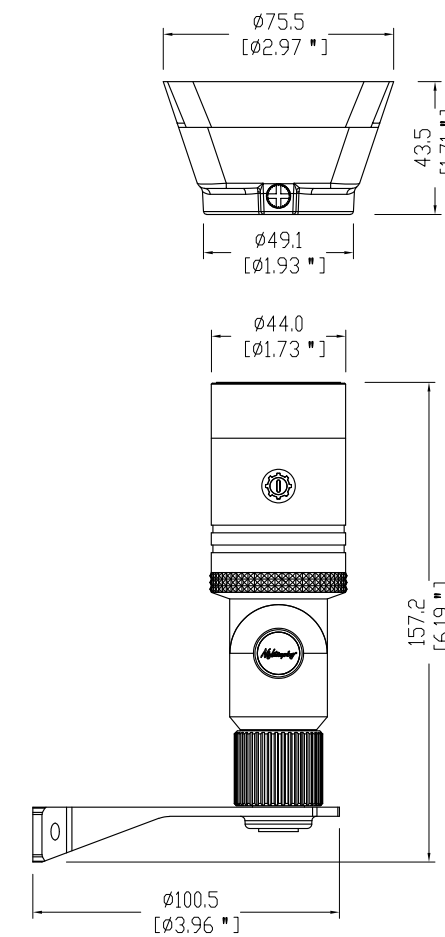
*Tested at 12 volts. Lumen output will increase as voltage increases. 12v input optimal



Locklin Series

WASH LIGHT

GUTTER MOUNT POWER BASE- ADJUSTABLE KNUCKLE
- LED MODULE - WASH LIGHT SHROUD





Locklin Series

WASH LIGHT

ABS STAKE MOUNT POWER BASE - FIXED KNUCKLE
- LED MODULE - WASH LIGHT SHROUD

SMOOTH, AMBIENT WASH LIGHTING

403-01WSBK



This wide-beam fixture brings **smooth, ambient wash lighting** to walls and small trees. The fixed knuckle delivers consistent uplighting coverage for columns, garden art, and low architectural features that are situated in mulch and garden beds away from grass.

Patented Modular Design:

Built with Locklin's Twist-lock snap-in system, Through Power Technology, and gold-plated connectors, this fixture installs directly into the landscape using a durable ABS Ground Stake Power Base.

PRODUCT DETAILS

Adjustable Color Temperature:

Push-button toggle between 2700K and 3000K
(Hold 5 seconds to switch)

Adjustable Lumen Output:

Push-button control:

- Press once: 3W
- Press twice: 5W
- Press three times: 7W

Lumen Output (2700K)*:

- 3W - 170 lm
- 5W - 292 lm
- 7W - 399 lm

Lumen Output (3000K)*:

- 3W - 180 lm
- 5W - 310 lm
- 7W - 425 lm

Fixed Knuckle:

Low-profile, non-adjustable mount designed to provide consistent wash lighting for short walls, small trees, and garden art.

Optics:

- Integrated linear spread lens
- 60° optic pre-installed.
- 36° optic included.
- Optional 15° and 7° sold separately.
- 120° beam achieved by removing optics.
- Color-coded lenses for easy identification.

Glare Control:

Includes optional Honeycomb Louver.

Power Base Wire Lead:

25' lead included with ABS Stake Mount Power Base.

Shroud:

The Wash Light Shroud delivers soft, ambient illumination across plantings, walls, and walkways with an integrated linear lens for smooth, even light.

Certifications:

- ETL Listed
- IP68 Rated
- CRI: 93.4
- TM-30 RF: 94
- TM-30 RG: 99
- Power Factor: 0.893 @ 12VAC



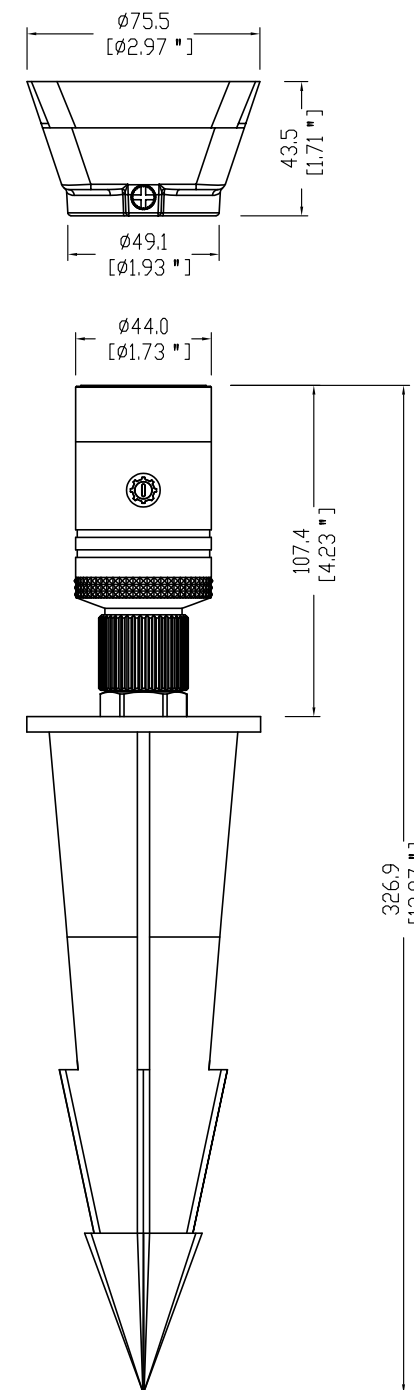
*Tested at 12 volts. Lumen output will increase as voltage increases. 12v input optimal



Locklin Series

WASH LIGHT

ABS STAKE MOUNT POWER BASE - FIXED KNUCKLE
- LED MODULE - WASH LIGHT SHROUD





Locklin Series

WASH LIGHT

ABS STAKE MOUNT POWER BASE - ADJUSTABLE KNUCKLE - LED MODULE - WASH LIGHT SHROUD

VARIABLE UPLIGHTING COVERAGE

403-02WSBK



This wide-beam fixture brings smooth, ambient wash lighting to walls and small trees. The adjustable knuckle delivers **variable uplighting coverage** for small trees, garden art, and low architectural features that are situated in mulch and garden beds away from grass.

Patented Modular Design:

Modular landscape wash-light built with Locklin's Twist-lock snap-in system, Through Power Technology, and gold-plated connectors, designed to create a uniform lighting effect across landscape and architectural features. The ABS Ground Stake Power Base provides strong in-ground anchoring.

PRODUCT DETAILS

Adjustable Color Temperature:

Push-button toggle between 2700K and 3000K (Hold 5 seconds to switch)

Adjustable Lumen Output:

Push-button control:
• Press once: 3W
• Press twice: 5W
• Press three times: 7W

Lumen Output (2700K)*:

- 3W - 170 lm
- 5W - 292 lm
- 7W - 399 lm

Lumen Output (3000K)*:

- 3W - 180 lm
- 5W - 310 lm
- 7W - 425 lm

Adjustable Knuckle:

360° rotation and tilt with push-button locking allow precise aiming of the wide wash beam in landscape applications.

Optics:

- Integrated linear spread lens
- 60° optic pre-installed.
- 36° optic included.
- Optional 15° and 7° sold separately.
- 120° beam achieved by removing optics.
- Color-coded lenses for easy identification.

Glare Control:

Includes optional Honeycomb Louver.

Power Base Wire Lead:

25' lead included with ABS Stake Mount Power Base.

Shroud:

The Wash Light Shroud delivers soft, ambient illumination across plantings, walls, and walkways with an integrated linear lens for smooth, even light.

Certifications:

- ETL Listed
- IP68 Rated
- CRI: 93.4
- TM-30 RF: 94
- TM-30 RG: 99
- Power Factor: 0.893 @ 12VAC



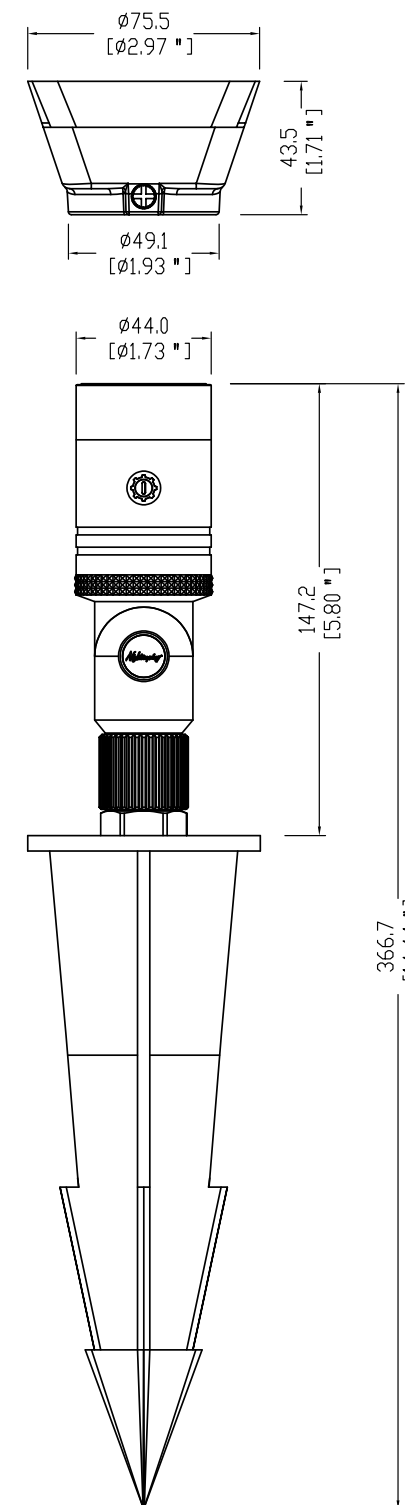
*Tested at 12 volts. Lumen output will increase as voltage increases. 12v input optimal



Locklin Series

WASH LIGHT

ABS STAKE MOUNT POWER BASE - ADJUSTABLE KNUCKLE - LED MODULE - WASH LIGHT SHROUD





Locklin Series

WASH LIGHT

TRIDENT STAKE MOUNT POWER BASE - FIXED KNUCKLE - LED MODULE - WASH LIGHT SHROUD

CONSISTENT UPLIGHTING COVERAGE

404-01WSBK



This wide-beam fixture brings smooth, ambient wash lighting to walls and small trees. The fixed knuckle delivers consistent uplighting coverage for columns, garden art, and low architectural features that are situated in mulch and garden beds away from grass.

Patented Modular Design:

Engineered with Locklin's quick-connect system and Through Power Technology and secured with a three-rod Trident Stake for extra stability in tough, unforgiving soils.

PRODUCT DETAILS

Adjustable Color Temperature:

Push-button toggle between 2700K and 3000K (Hold 5 seconds to switch)

Adjustable Lumen Output:

Push-button control:

- Press once: 3W
- Press twice: 5W
- Press three times: 7W

Lumen Output (2700K)*:

- 3W - 170 lm
- 5W - 292 lm
- 7W - 399 lm

Lumen Output (3000K)*:

- 3W - 180 lm
- 5W - 310 lm
- 7W - 425 lm

Fixed Knuckle:

Locks beam direction in place —ideal for long-term, consistent wash lighting of facades, low walls, or plant groupings.

Optics:

- Integrated linear spread lens
- 60° optic pre-installed.
- 36° optic included.
- Optional 15° and 7° sold separately.
- 120° beam achieved by removing optics.
- Color-coded lenses for easy identification.

Glare Control:

Includes optional Honeycomb Louver.

Power Base Wire Lead:

25' lead included with Trident Stake Mount Power Base.

Shroud:

The Wash Light Shroud delivers soft, ambient illumination across plantings, walls, and walkways with an integrated linear lens for smooth, even light.

Certifications:

- ETL Listed
- IP68 Rated
- CRI: 93.4
- TM-30 RF: 94
- TM-30 RG: 99
- Power Factor: 0.893 @ 12VAC



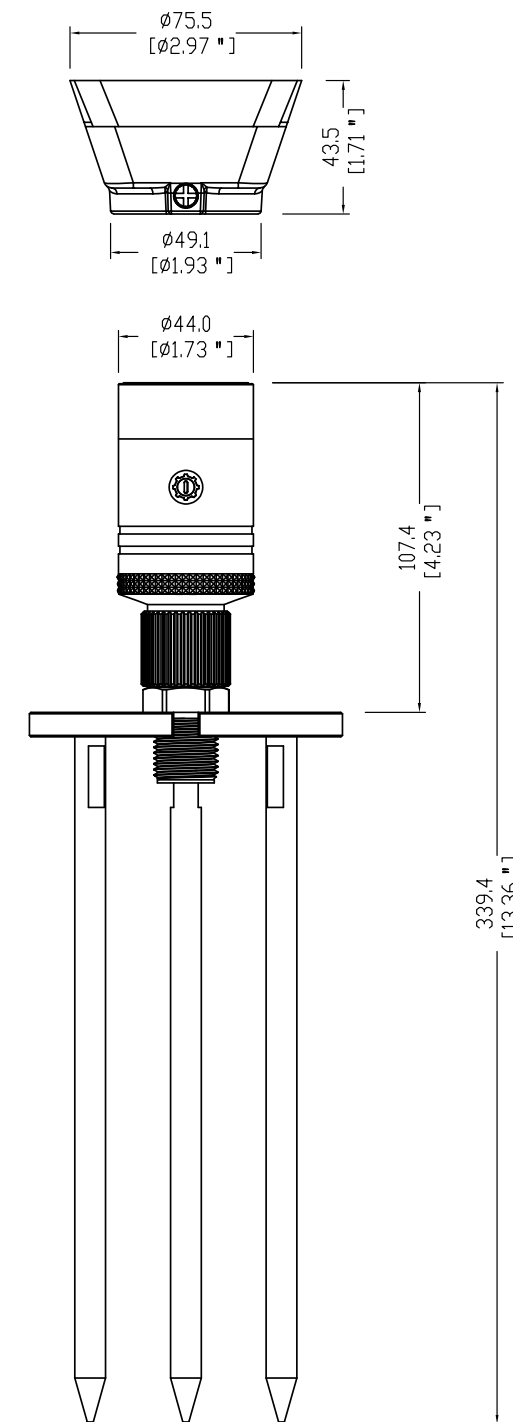
*Tested at 12 volts. Lumen output will increase as voltage increases. 12v input optimal



Locklin Series

WASH LIGHT

TRIDENT STAKE MOUNT POWER BASE - FIXED KNUCKLE - LED MODULE - WASH LIGHT SHROUD





Locklin Series

WASH LIGHT

TRIDENT STAKE MOUNT POWER BASE - ADJUSTABLE KNUCKLE - LED MODULE - WASH LIGHT SHROUD

VARIABLE UPLIGHTING COVERAGE

404-02WSBK



This wide-beam fixture brings smooth, ambient wash lighting to walls and small trees. The adjustable knuckle delivers **variable uplighting coverage** for small trees, garden art, and low architectural features that are situated in mulch and garden beds away from grass.

Patented Modular Design:

Anchored with a triple-rod stainless steel stake, powered by Through Power Technology, and connected via Twist-lock gold-plated pins for quick, reliable setup in any soil condition.

PRODUCT DETAILS

Adjustable Color Temperature:

Push-button toggle between 2700K and 3000K (Hold 5 seconds to switch)

Adjustable Lumen Output:

Push-button control:

- Press once: 3W
- Press twice: 5W
- Press three times: 7W

Lumen Output (2700K)*:

- 3W - 170 lm
- 5W - 292 lm
- 7W - 399 lm

Lumen Output (3000K)*:

- 3W - 180 lm
- 5W - 310 lm
- 7W - 425 lm

Adjustable Knuckle:

Push-button control allows beam angle and direction to be customized in the field—perfect for slopes, berms, or rugged installations.

Optics:

- Integrated linear spread lens
- 60° optic pre-installed.
- 36° optic included.
- Optional 15° and 7° sold separately.
- 120° beam achieved by removing optics.
- Color-coded lenses for easy identification.

Glare Control:

Includes optional Honeycomb Louver.

Power Base Wire Lead:

25' lead included with Trident Stake Mount Power Base.

Shroud:

The Wash Light Shroud delivers soft, ambient illumination across plantings, walls, and walkways with an integrated linear lens for smooth, even light.

Certifications:

- ETL Listed
- IP68 Rated
- CRI: 93.4
- TM-30 RF: 94
- TM-30 RG: 99
- Power Factor: 0.893 @ 12VAC



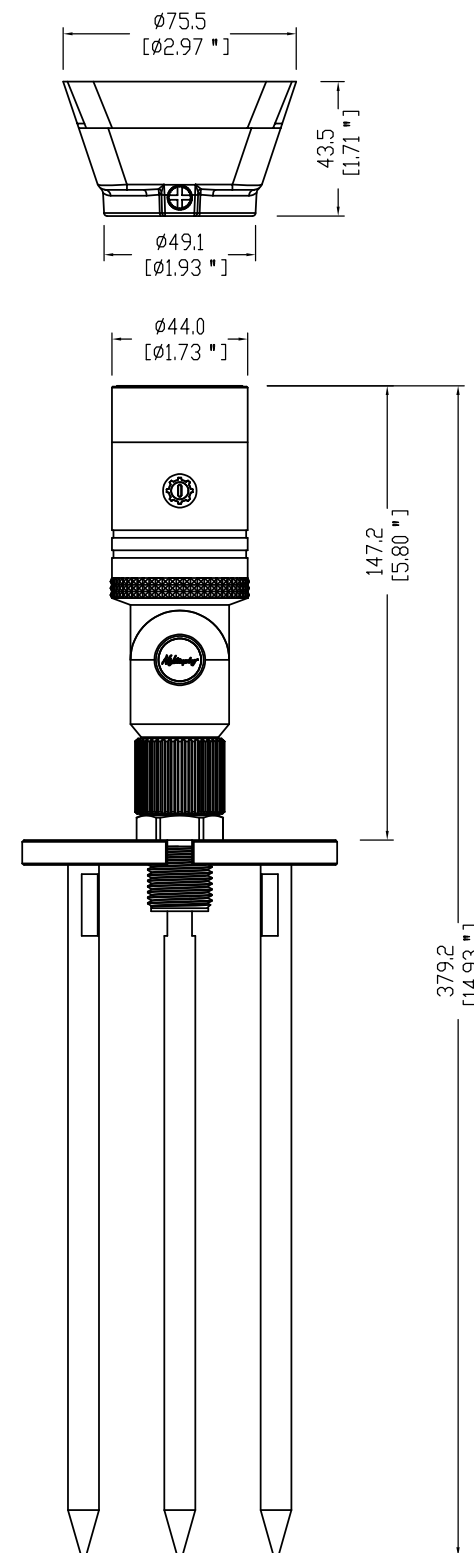
*Tested at 12 volts. Lumen output will increase as voltage increases. 12v input optimal



Locklin Series

WASH LIGHT

TRIDENT STAKE MOUNT POWER BASE - ADJUSTABLE KNUCKLE - LED MODULE - WASH LIGHT SHROUD





Locklin Series

RECESSED CAN LIGHT

RECESSED CAN LIGHT MOUNT POWER BASE - LED MODULE -
RECESSED CAN LIGHT SHROUD

FLUSH SOLUTION FOR DOWNLIGHTING

405-01CSBK / 405-01CSWT



The Recessed Can Light creates a clean, flush solution for downlighting from soffits, overhanging eaves and patio covers with ease.

Patented Modular Design:

The Locklin Recessed Can Light is built using Nightscaping's Twist-lock system and Through Power Technology with wireless, gold-plated connectors for tool-free installation. Designed to be used for outdoor soffits, architectural overhangs, and ceilings inside patio structures.

Note: Cutout hole size 2 5/8"

PRODUCT DETAILS

Flush-Mount Form Factor:

The integrated Recessed Can Light Shroud is pre-installed within the housing to deliver subtle, directional light without exposing hardware or creating glare. No visible fasteners, no tilt — just a clean architectural finish.

Adjustable Color Temperature:

Push-button toggle between 2700K and 3000K (Hold 5 seconds to switch)

Adjustable Lumen Output:

Push-button control:

- Press once: 3W
- Press twice: 5W
- Press three times: 7W

Lumen Output (2700K)*:

- 3W - 170 lm
- 5W - 292 lm
- 7W - 399 lm

Lumen Output (3000K)*:

- 3W - 180 lm
- 5W - 310 lm
- 7W - 425 lm

Optics:

- 60° optic pre-installed.
- 36° optic included.
- Optional 15° and 7° sold separately.
- 120° beam achieved by removing optics.
- Color-coded lenses for easy identification.

Glare Control:

Includes optional Honeycomb Louver.

Additional Features:

Recessed can light masking paint plug included with white can light to assist with custom painting shroud.

Power Base Wire Lead:

3' lead pre-installed in the Recessed Can Light Power Base.

Shroud:

Low-profile shroud that installs flush into ceilings for clean, discreet downlighting.

Certifications:

- ETL Listed
- IP68 Rated
- CRI: 93.4
- TM-30 RF: 94
- TM-30 RG: 99
- Power Factor: 0.893 @ 12VAC

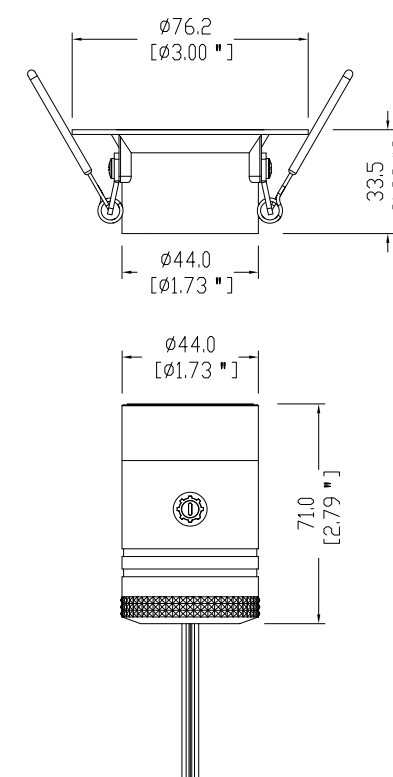


RECESSED CAN LIGHT

RECESSED CAN LIGHT MOUNT POWER BASE - LED MODULE -
RECESSED CAN LIGHT SHROUD



Locklin Series



*Tested at 12 volts. Lumen output will increase as voltage increases. 12v input optimal





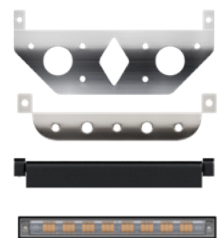
Locklin Series

LIP LIGHT

LIP LIGHT MOUNT POWER BASE - 2 SS MOUNTS -
MODULAR LED - REMOTE CONTROL

UNDERSTATED LIGHTING
FOR EXCEPTIONAL RESULTS

406-00XXBK



Engineered for use in short masonry walls and step lighting, the Lip Light provides a clean, adaptable light source for use in a variety of applications. This fixture is equipped with technology that allows for a selection of 3 color temperatures and 2 brightness settings.

Patented Modular Design:

Designed for tight spaces, the Locklin Lip Light features a compact Power Base and snap-in LED Module with patent-pending dual-lens technology to reduce vertical glare. It installs easily under capstones, seat walls, or steps using stainless steel brackets, no tools required.

PRODUCT DETAILS

Ultra-Slim Profile:

Designed for narrow reveals and overhangs where space is tight and visual distraction is not an option. Light output is softly diffused for a subtle architectural impact.

Adjustable Color Temperature:

Adjustability is controlled via a Nightscaping remote control (sold separately)

- 2700k
- 3000k
- 4000k

Adjustable Lumen Output:

Adjustability is controlled via a Nightscaping remote control (sold separately)

- 1W - 50 lm
- 2W - 100 lm

Optics:

Patent pending dual action lens technology for reducing hot spots on the surface closest to the light source.

Power Base Wire Lead:

15' lead pre-installed in Lip Light Power Base.

Mounting Hardware:

Includes 2 stainless steel under-cap mounting brackets (small/large).

Remote Control (Optional):

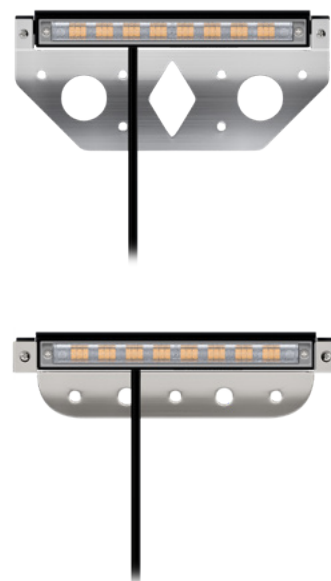
Sold separately. One remote can control multiple Lip Lights across a project.

Remote Control Features:

- Controls lights up to 5' when the light is on
- Controls lights up to 16' when the light is off

Certifications:

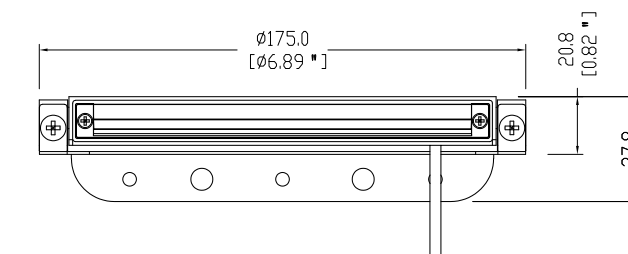
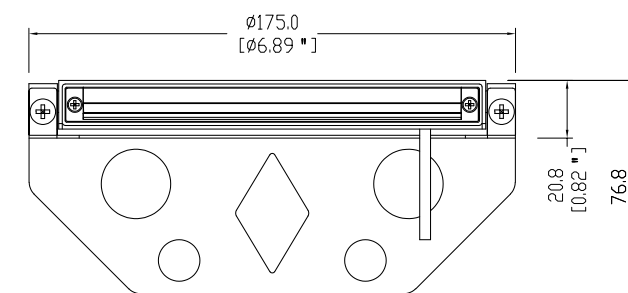
- ETL Listed
- IP68 Rated
- CRI: 93.4
- TM-30 RF: 94
- TM-30 RG: 99
- Power Factor: 0.893 @ 12VAC



Locklin Series

LIP LIGHT

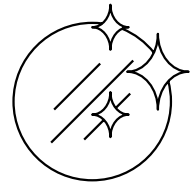
LIP LIGHT MOUNT POWER BASE - 2 SS MOUNTS -
MODULAR LED - REMOTE CONTROL





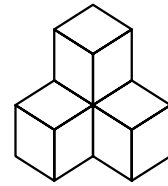
Locklin Series

GENERAL PRODUCT FEATURES



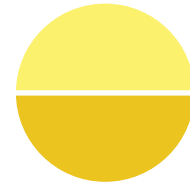
FINISH Obsidian Brass: Matte

A handcrafted satin finish with the richness of darkened brass. Matte, warm, and purposefully imperfect, built for environments that demand both texture and restraint.



PATENTED MODULAR DESIGN

Patent pending Twist-lock system with aerospace-certified gold-plated connectors for zero-corrosion performance. Coastal-ready. Nearly tool-free from start to finish.



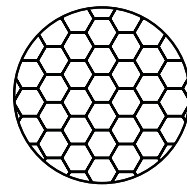
ADJUSTABLE COLOR TEMPERATURE

Push-button toggle between 2700K and 3000K (press and hold 5 seconds).



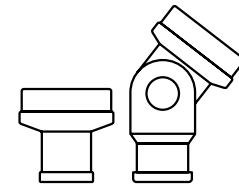
OPTICS

Removable drop-in lenses to change beam angle: 7°, 15°, 36°, 60°, 120° (color-coded system for easy identification).



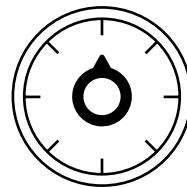
GLARE CONTROL

Honeycomb Louver included with every LED module.



WIRELESS KNUCKLE OPTIONS

Adjustable or stationary with push-button adjustability.



ADJUSTABLE LUMEN OUTPUT

LUMEN OUTPUT (2700K)*:

- 3W - 170 lm (press once)
- 5W - 292 lm (press twice)
- 7W - 399 lm (press 3 times)

LUMEN OUTPUT (3000K)*:

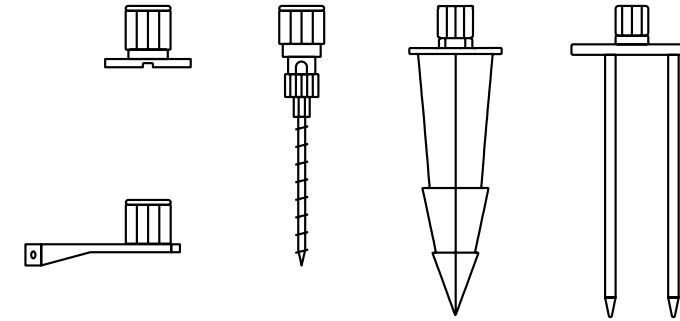
- 3W - 180 lm (press once)
- 5W - 310 lm (press twice)
- 7W - 425 lm (press 3 times)

*Tested at 12 volts. Lumen output will increase as voltage increases. 12v input optimal



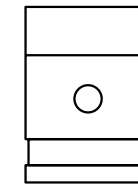
Locklin Series

GENERAL PRODUCT FEATURES



POWER BASE WIRE LEADS

- Tree Mount Power Base - 50'
- ABS Stake Power Base - 25'
- Trident Stake Power Base - 25'
- Surface Mount Power Base - 25'
- Recessed Can Light Power Base - 3'
- Gutter Mount Power Base - 3'



LED MODULE

Advanced chipset with single LED for optimal Lux control.



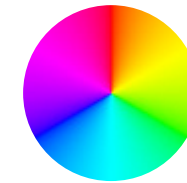
POWER FACTORS

0.893 @ 12VAC



CERTIFICATIONS

ETL Listed



COLOR RENDERING INDEX (CRI)

90+



IP RATING

IP68

TM-30 RF

94

TM-30 RG

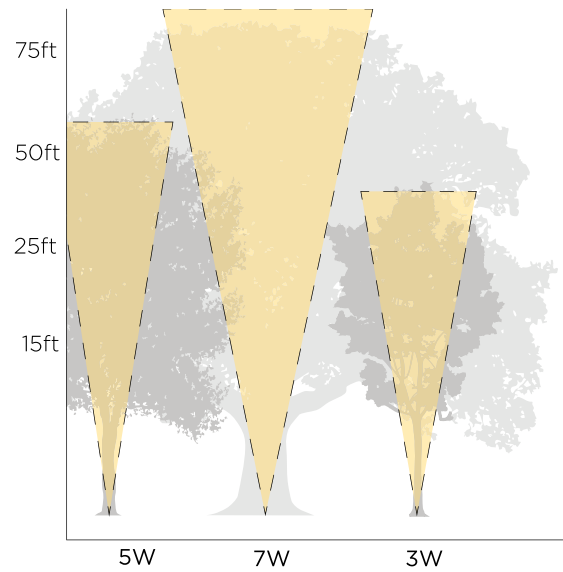
99



Locklin Series

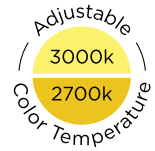
ADJUSTABLE LED MODULE

ADJUSTABLE DRIVER SETTINGS

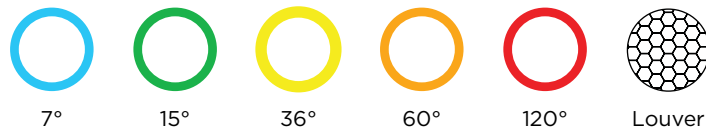
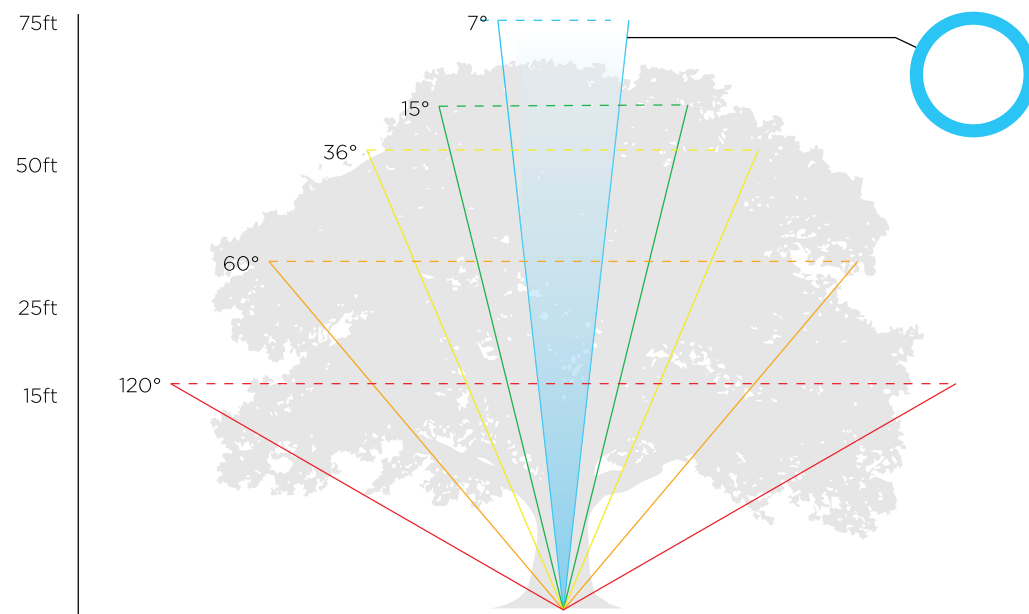


SETTINGS	TM30	LUMENS	CRI	PF
3W 2700K (Warm White)	94R _r /99R _g	170.54	93.4	0.893
5W 2700K (Warm White)	94R _r /99R _g	291.70	93.4	0.893
7W 2700K (Warm White)	94R _r /99R _g	397.75	93.4	0.893
3W 3000K (Warm White)	94R _r /99R _g	180.41	93.4	0.893
5W 3000K (Warm White)	94R _r /99R _g	310.11	93.4	0.893
7W 3000K (Warm White)	94R _r /99R _g	424.43	93.4	0.893

*Results are based on 12V input rated voltage.



OPTIC VARIATIONS



SOLD SEPARATELY

INCLUDED

PRODUCT INFO

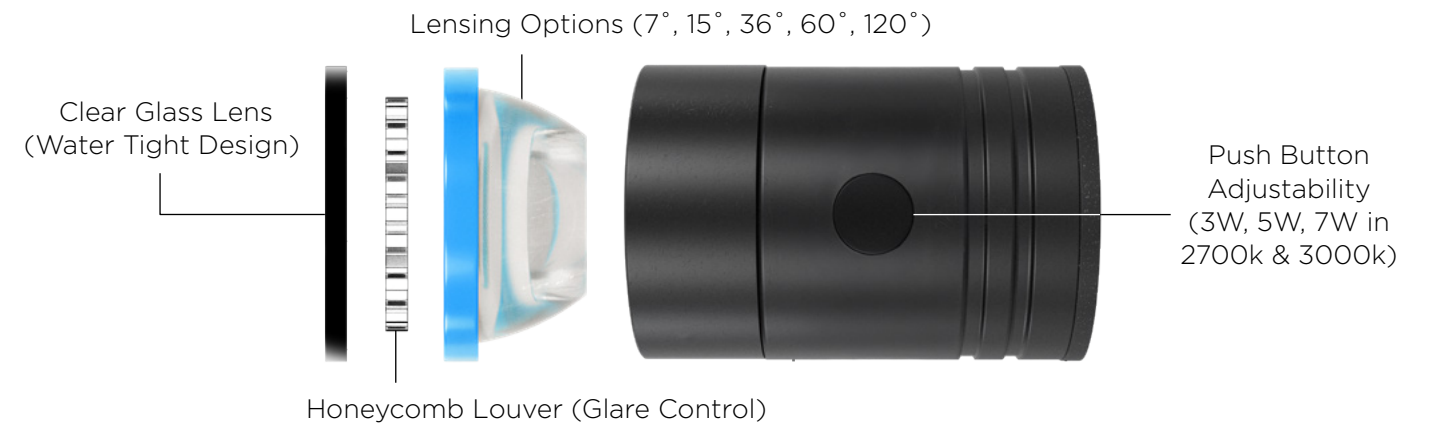
- Part #:** 4LM-001B
- Material:** Machined Brass
- Finish:** Obsidian Black
- Dimensions:** 1.75" x 3"
- Warranty:** 10 Years
- Patent Pending**



Locklin Series

FIXTURE COMPLIANCE

BUILT TO OUTLAST YOU



US MILITARY ENVIRONMENTAL STANDARD COMPLIANCE

- 101E:** Salt Atmosphere (Corrosion) Testing - Coastal Certified
- 103B:** Humidity (Steady State) Certified
- 104A:** Immersion Certified
- 105C:** Barometric Pressure Certified
- 106G:** Moisture Resistance Certified
- 107G:** Thermal Shock Certified
- 108A:** Life (At Elevated Ambient Temperature) Certified
- 110A:** Sand and Dust Certified
- 111A:** Flammability (External Flame) Certified
- 112E:** Seal Certified

ELECTRICAL CHARACTERISTICS COMPLIANCE

- 301:** Dielectric Withstanding Voltage
- 302:** Insulation Resistance
- 303:** DC Resistance
- 304:** Resistance Temperature Characteristic
- 305:** Capacitance
- 306:** Quality Factor (Q)
- 307:** Contact Resistance
- 308:** Current-Noise Test For Fixed Resistors
- 309:** Voltage Coefficient Of Resistance Determination Procedure
- 310:** Contact-Chatter Monitoring
- 311:** Life, Low Level Switching
- 312:** Intermediate Current Switching

PHYSICAL CHARACTERISTICS COMPLIANCE

- 201A:** Vibration Certified
- 203C:** Random Drop Certified
- 204D:** Vibration, High Frequency Certified
- 212A:** Acceleration Certified
- 214A:** Random Vibration Certified





Nightscaping[®]
SINCE 1959

Delivering excellence since 1959

- 835 Lincoln Ave., Ste 13, West Chester, PA 19380
- 484.450.8774
- info@nightscapingusa.com
- nightscapingusa.com/locklin-series/partners