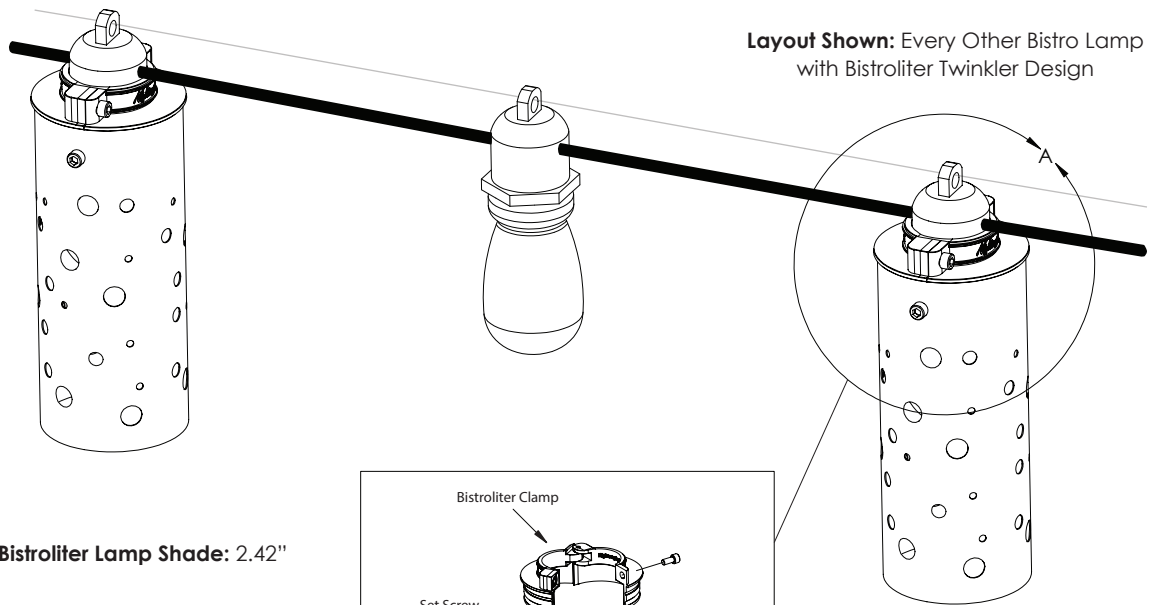


Bistoliter Installation Instructions: Guide For Bistoliter - Page 1

1. Install your professional grade bistro lighting kit in the desired location. **NOTE: The Bistoliter will fit 99% of the Professional grade bistro lighting kits sold at your local home improvement stores or landscape supply houses.**
2. After installing your bistro lighting kit you will now need to identify the proper location/layout of your Bistoliters. Keep in mind that there is no right or wrong way to the pattern you pick for your Bistoliter layout. Some will choose to place a Bistoliter on every bistro light while others will do every other one. Located on Page 2 are a few options as far as layout is concerned.
3. Once you have decided on the layout for your Bistoliters, it is now time to install them on to your bistro lights. To Install the Bistoliters simply remove the Bistoliters from the box. There will be two sets of boxes. One set of boxes contains the Bistoliter Clamp and the other set of boxes contains the Bistoliter Lamp Shade. Remove the set screws from the Bistoliter Clamp and open the clamp. Place the Bistoliter Clamp just above the hexagonal shaped part on the bistro light socket (shown Figure A). Then close the Bistoliter Clamp and place the set screw into the clamp to lock it into place.
4. Now that the Bistoliter Clamp is locked around the bistro light socket you are now ready to install your Bistoliter Lamp Shade. To Install the Bistoliter Lamp Shade simply slide the shade into the Bistoliter Clamp. Once in place, spin the Bistoliter Lamp Shade until the hole in the Shade lines up with the threaded hole in the Bistoliter Clamp. Then screw the set screw into the Bistoliter Clamp locking the Bistoliter Lamp Shade into place. You are now ready to move on to installing your next Bistoliter.
5. After you have installed the Bistoliters, you and your guests are ready to enjoy the decorative light from your new Bistoliter Lamp Shade Kit.



Layout Shown: Every Other Bistro Lamp with Bistoliter Twinkler Design

ID Of Bistoliter Lamp Shade: 2.42"

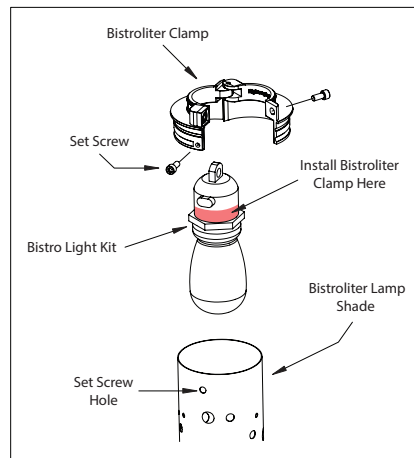


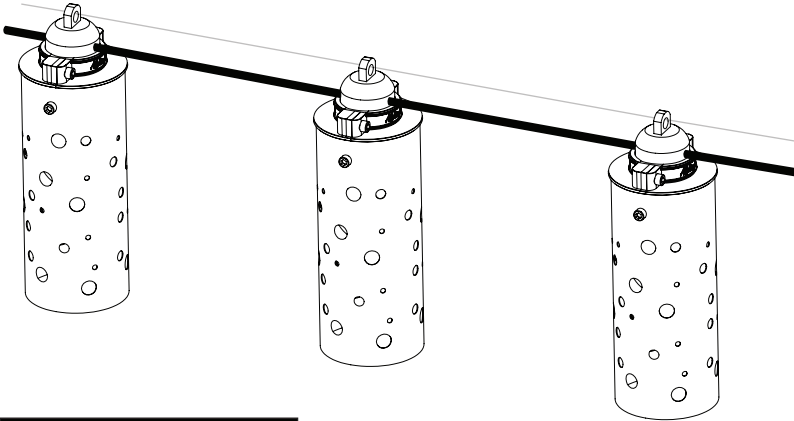
Figure A

Figure B

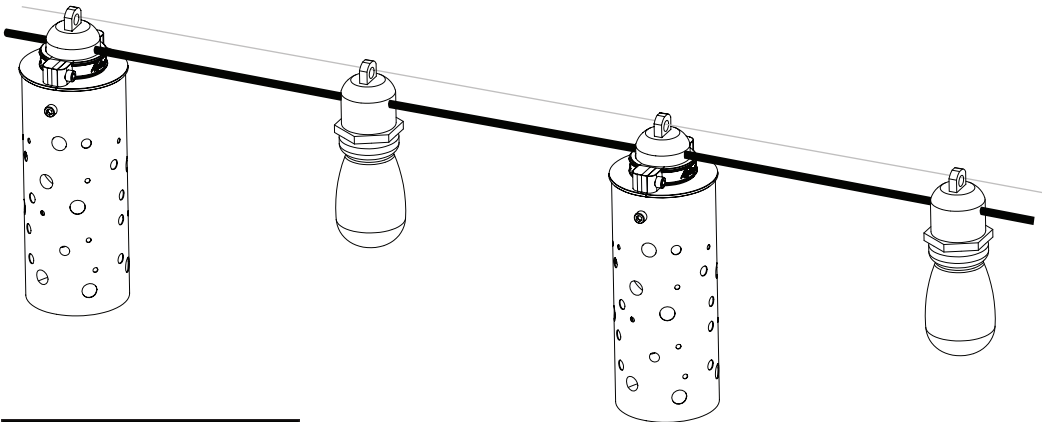


Bistoliter Installation Instructions: Guide For Bistoliter Layout - Page 2

Layout 1: Every Bistro Lamp



Layout 2: Every Other Bistro Lamp



Layout 3: Every Fourth Bistro Lamp

