

Installation Instructions: Footer/Concrete Mount Option (For Units 32" or Taller)

1. Locate the area(s) where the Bollard(s) will be placed.
2. If the Bollards are not being mounted to existing concrete or a permanent surface then a footer will be needed.
3. Dig a hole for the footer. Refer to the Table A below for suggested footing sizes.

Table A

BOLLARD SIZE	RECOMMENDED FOOTER
Garden Series - 4x4x37"	8" Diameter x 24" Deep
Estate Series - 6x6x32"	10" Diameter x 24" Deep
Estate Series - 6x6x42"	10" Diameter x 30" Deep
Estate Series - 6x6x80"	12" Diameter x 36" Deep

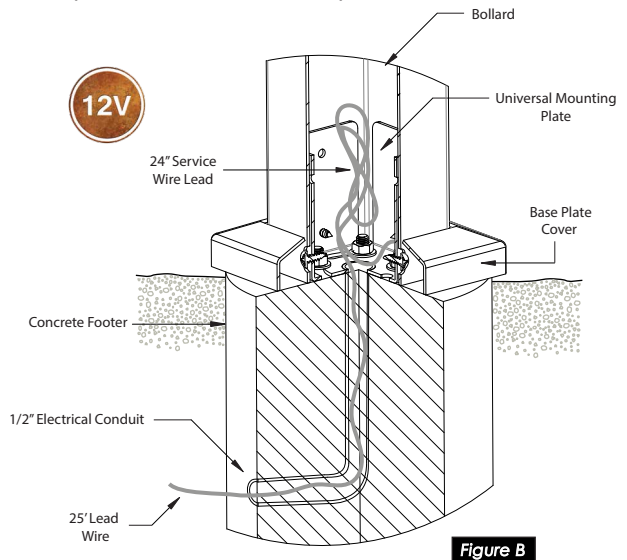


Figure B

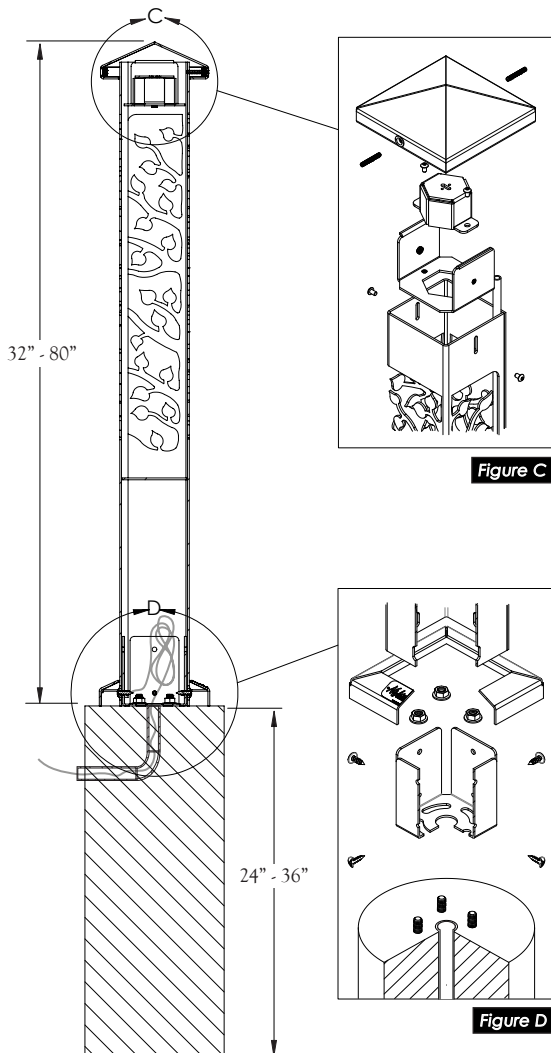


Figure C

Figure D

4. Place the 1/2" electrical conduit (shown in Figure B) into the footer. **The top of the electrical conduit should be sitting at least 1" above the top of the footer hole/ground level. The base of the electrical conduit should exit into the ground.**
5. Pour concrete around the 1/2" electrical conduit, filling the footer. **DO NOT FILL THE ELECTRICAL CONDUIT WITH CONCRETE.** Ensure that the concrete footer is level by using a Torpedo level. Allow the concrete to cure for the recommended time specified by the manufacturer.
6. Once the concrete has cured, position the Universal Mounting Plate (UMP) onto the concrete footer in the desired position. Mark your pilot holes for the wedge anchor bolts (provided).
7. Using a carbide tipped 3/8" drill bit (sold separately), drill pilot holes in the marked locations. After the pilot holes have been drilled, insert the wedge anchor bolts.
8. Place the UMP over the anchor bolts. Once it is located in the desired position tighten the nuts until the UMP is securely fastened to the footer. **Make sure to raise the Bollard about 1/2" above the ground level using the provided nuts and bolts.** Not following these instructions will void all warranties.
9. Run the lead wire from the luminaire through the 1/2" electrical conduit and connect it to the power supply line using lithium grease filled wire nuts (provided).
10. Place the Base Cover Plate over the Bollard then slide the Bollard over the UMP (shown in Figure D). Check to make sure that the Bollard is level and securely fasten the Bollard to the UMP using the screws provided.
11. Install the Top Cap shown in Figure C. **Note: Light Glare can be reduced with the Adjustable Socket Holder Plate by adjusting the two set screws on the side of the Bollard.**

Installation Instructions: Footer/Concrete Mount Option with Anchor Bolts - Step 1

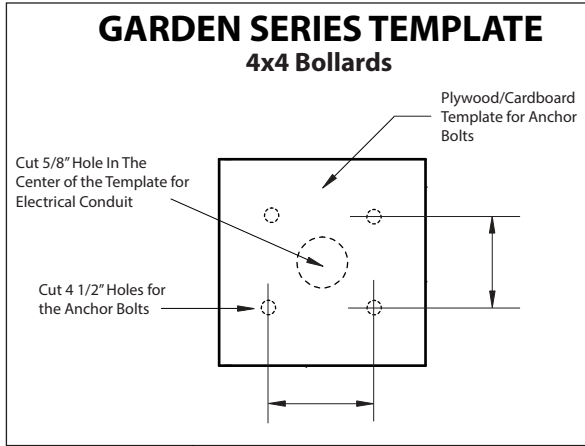


Figure E

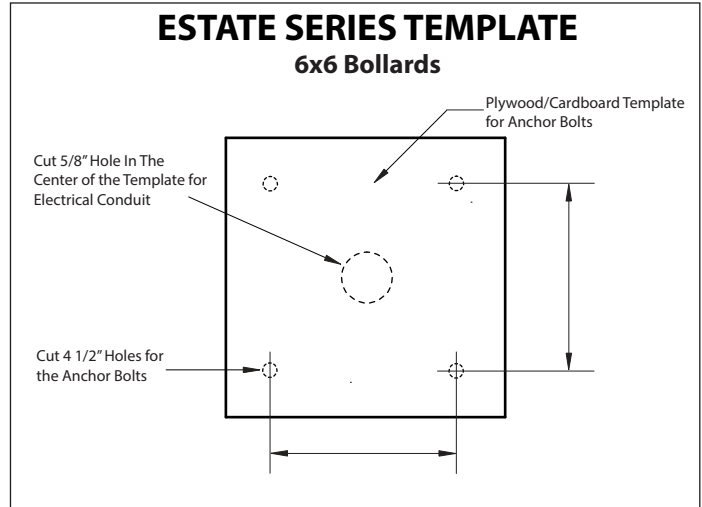


Table A

BOLLARD SIZE	RECOMMENDED FOOTER
Garden Series - 4x4x37"	8" Diameter x 24" Deep
Estate Series - 6x6x32"	10" Diameter x 24" Deep
Estate Series - 6x6x42"	10" Diameter x 30" Deep
Estate Series - 6x6x80"	12" Diameter x 36" Deep

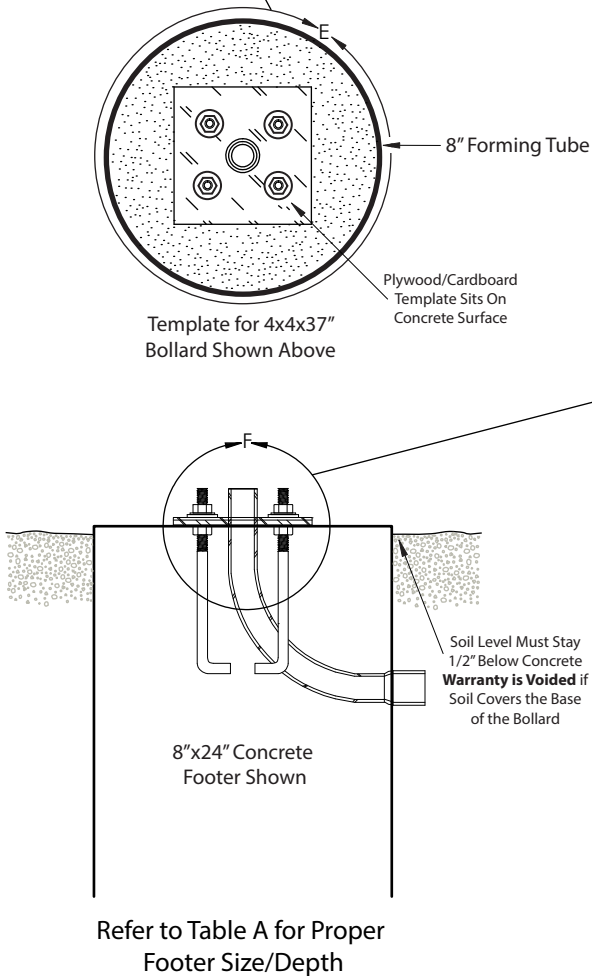
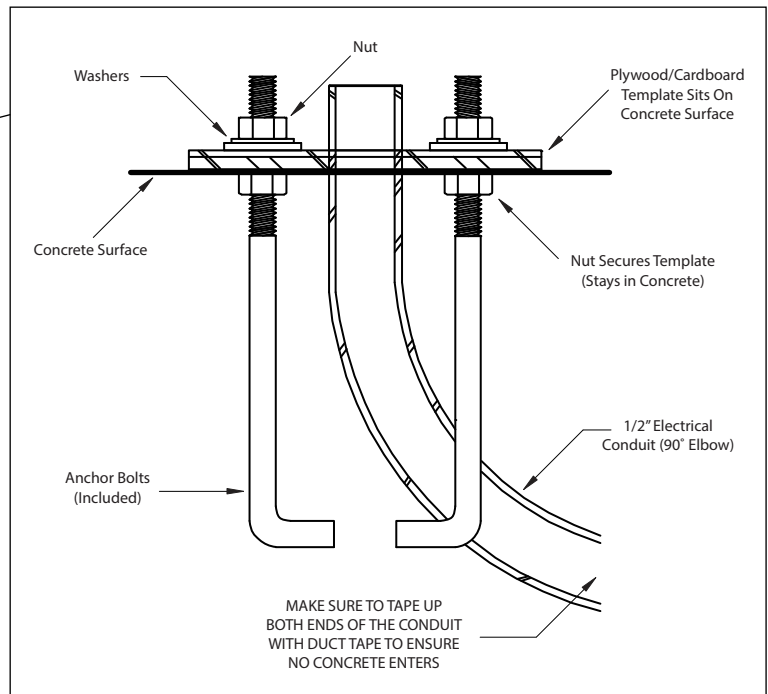


Figure F



Installation Instructions: Footer/Concrete Mount Option with Anchor Bolts - Step 2

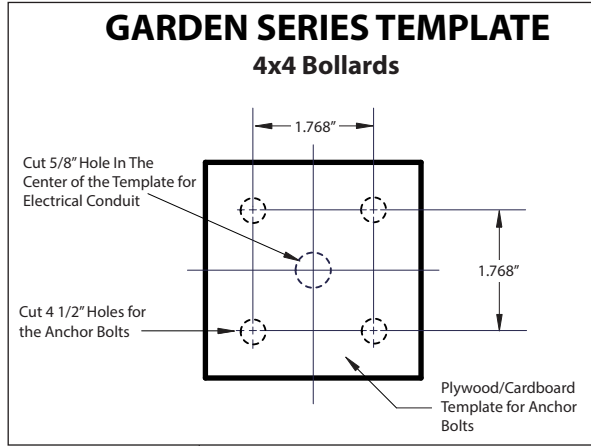


Figure G

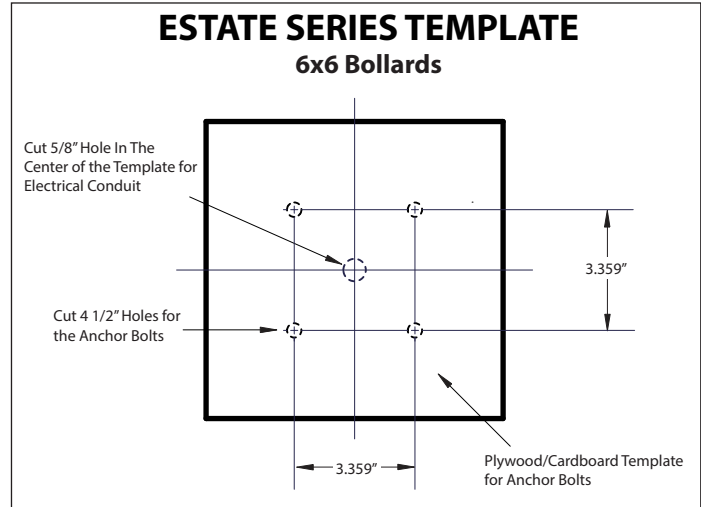
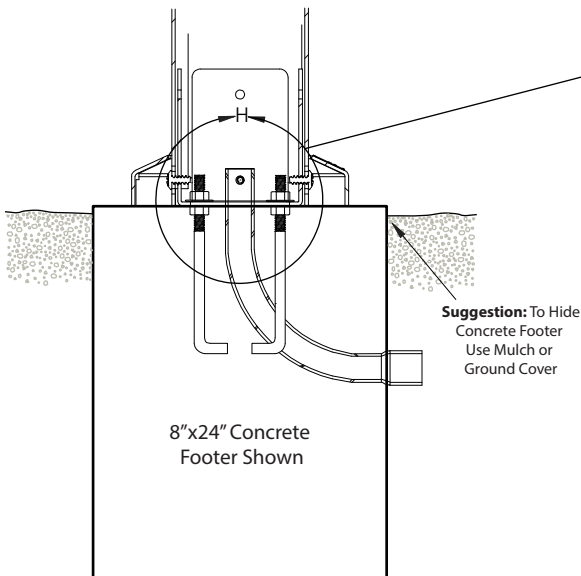
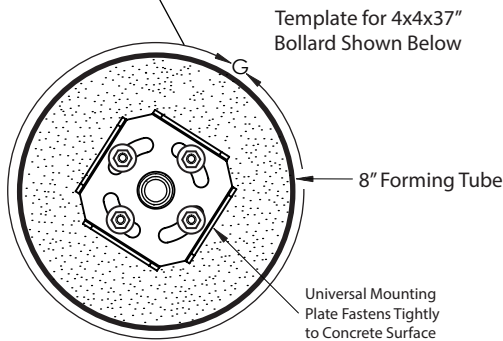


Table A

BOLLARD SIZE	RECOMMENDED FOOTER
Garden Series - 4x4x37"	8" Diameter x 24" Deep
Estate Series - 6x6x32"	10" Diameter x 24" Deep
Estate Series - 6x6x42"	10" Diameter x 30" Deep
Estate Series - 6x6x80"	12" Diameter x 36" Deep



Refer to Table A for Proper Footer Size/Depth

Figure H

