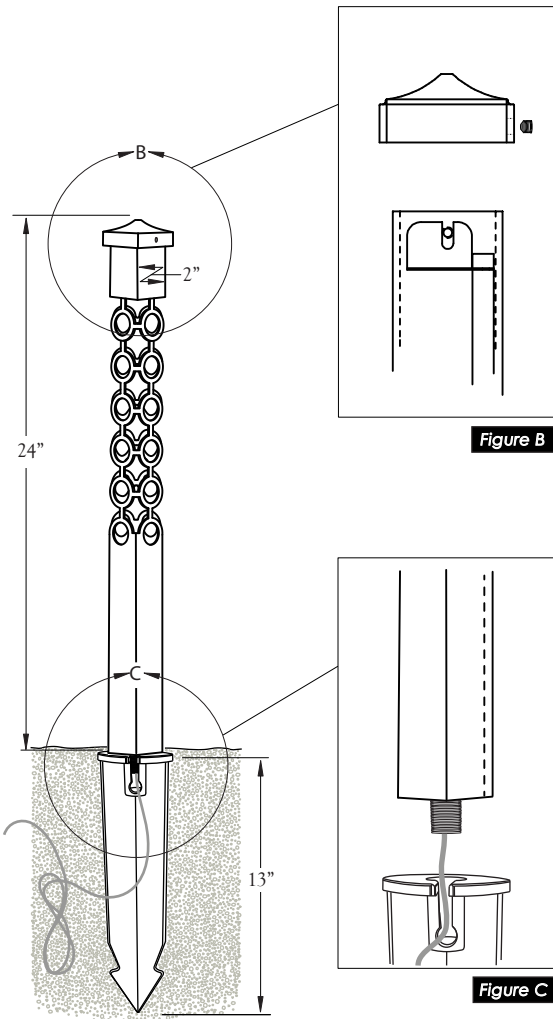
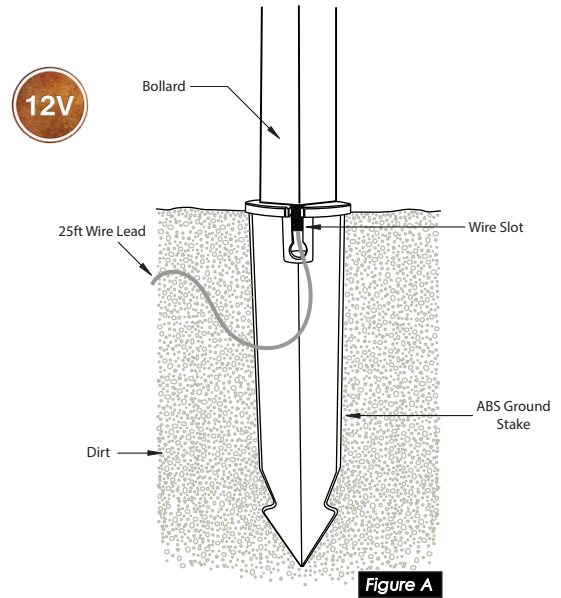


Installation Instructions: Courtyard Series Stake Mounted Bollards

1. Locate the area(s) where the Bollard(s) will be placed.
2. If the Bollards are being mounted to existing concrete or a hard surface then a surface mount will be needed (see website for details).
3. Using a 7/2" Pencil-Point Digging Bar dig a 6-8" deep hole using the pointed end of the Digging Bar for the ABS Ground Stake on the Bollard(s).
4. Place the Top Cap of the Bollard onto the Bollard. Then tighten the hex head screw so that the Top Cap is securely fastened to the top of the Bollard (see Figure B).
5. Once the Top Cap has been secured to the Bollard thread the ABS Ground Stake onto the base of the Bollard (see Figure C).



6. Place the Bollard into the 6-8" hole. Press the bollard firmly into the hole so that the top of **the stake is approximately 1/2" above the surrounding soil/mulch** (see Figure A). Not following these instructions will void all warranties.
7. Once the Bollard is in the desired position, tamp the soil around the ABS Ground Stake to ensure that the Bollard is firmly placed in the soil/landscape.
8. **Make sure to leave approximately 24" of lead wire by the luminaire buried 6-8" below the soil grade for future service work to be performed and/or if the fixture needs to be moved due to surrounding plant growth.**
9. Connect the lead wire from the luminaire to the power supply line using lithium grease filled wire nuts (provided).
10. **Note: Light Glare can be reduced with the Adjustable Socket Holder Plate by adjusting the two set screws on the side of the Bollard.**